

DIGITAL SPEED INDICATOR

INDEX

SID250	306
--------	-------	-----



DIGITAL SPEED INDICATOR

Features of digital speed indicator

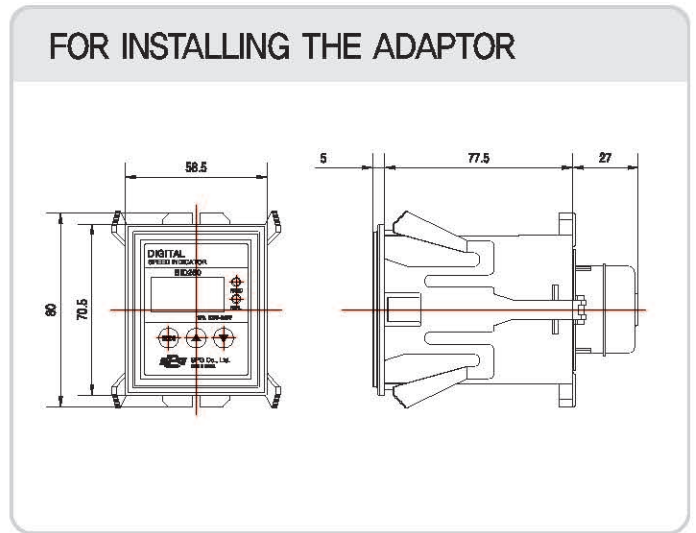
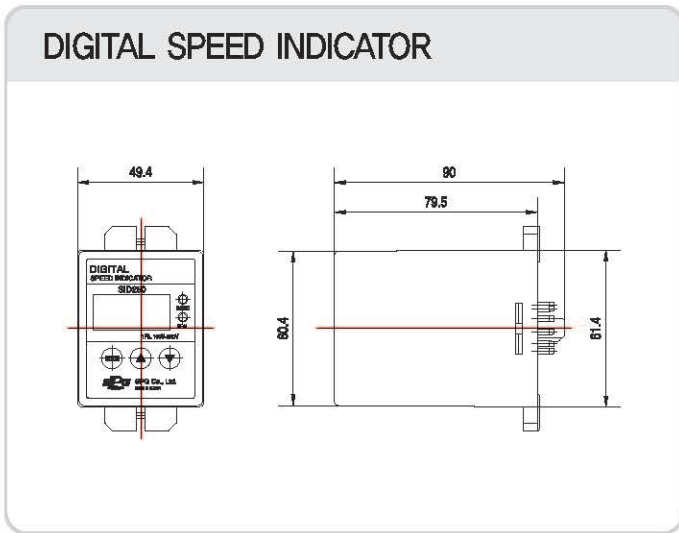
- It is rotating speed display that indicating the rotation speed of motor and the rotation speed of gear head's output shaft.
 - Input voltage is free voltage from AC 100V to 240V.
 - The reduction rate and multiplication magnification for gear head can be set.
 - The returning speed for belt conveyor can be converted.
 - RPM can be indicated according to the input of 12 pulse/ 15 pulse/ 24 pulse/ 30 pulse by 1 RPM.
- Application : UNIT / SR / SS / X-TOR Series
 ※ Not specified product.



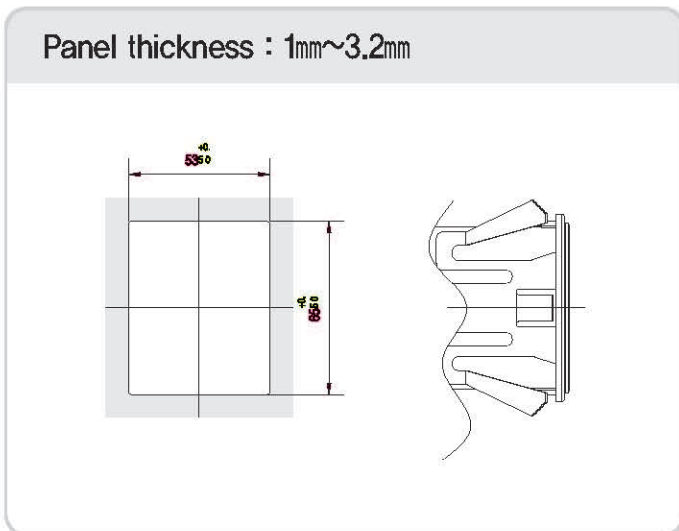
SPECIFICATIONS

Nomenclature Item	SID250
Rated voltage	Single Phase 100V ~ 240V 50Hz/60Hz
Operating voltage range	Single Phase 85V ~ 264V 50Hz/60Hz
Consumption Voltage	0.1A
Rotating speed indication	4-DIGIT
Setting reduction rate	116 types and multiplication magnification(0.005 unit)
Operating caution temperature	0 ~ 40°C
Weight	200g
Insulated resistance	In the normal temperature and humidity, values measured by mega between power input terminal and FG, power input terminal and case, case and FG terminal, are above 100 M Ω .
Insulated internal pressure	In the normal temperature and humidity, power between power input terminal and FG, power input terminal and case, case and FG terminal, shall be approved for 1 minute.

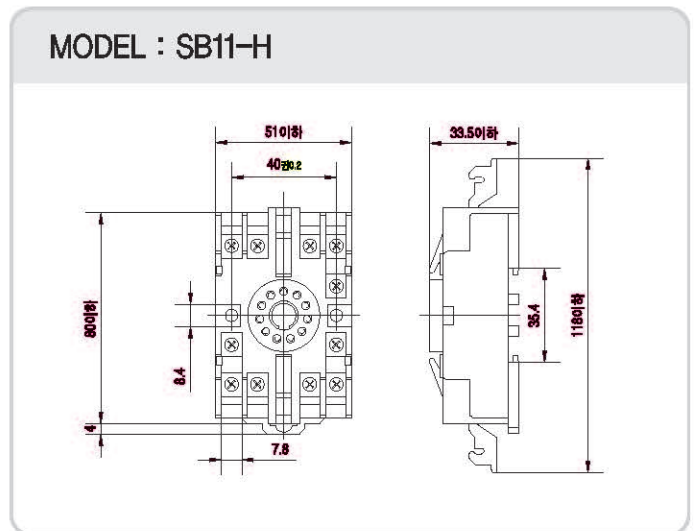
+ DIMENSIONS



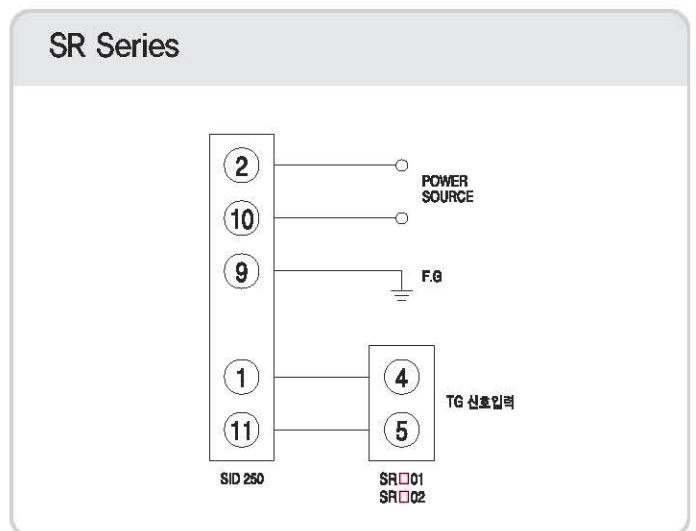
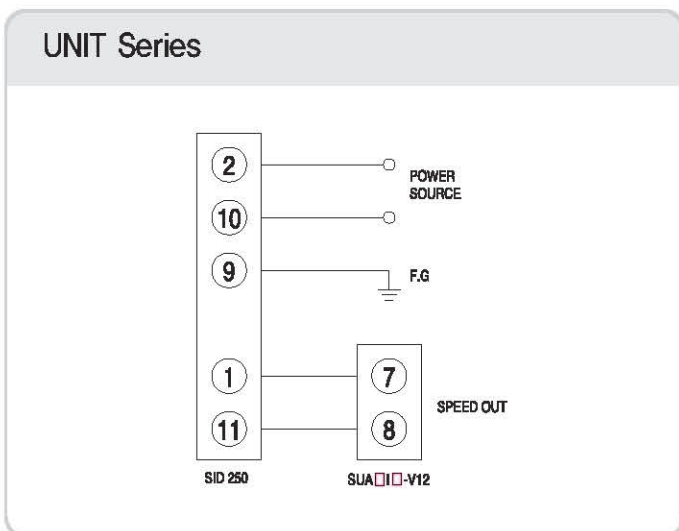
+ Panel machining diagram [unit:mm]



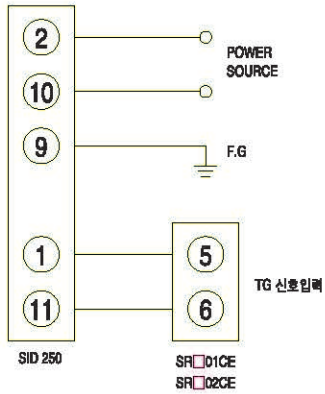
+ Socket for installing DIN rail (Deliberately purchase)



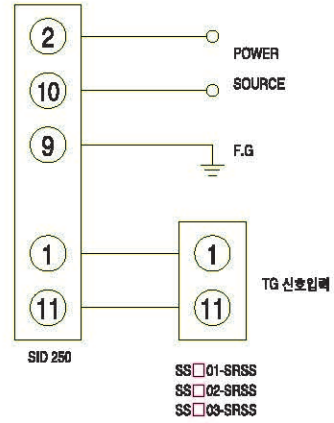
+ Electrical Wiring



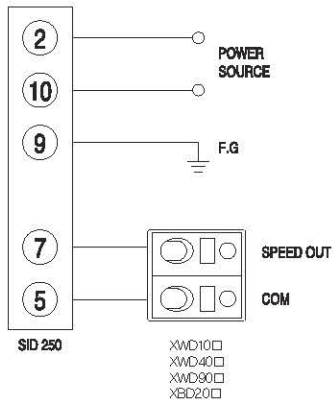
SR CE Series



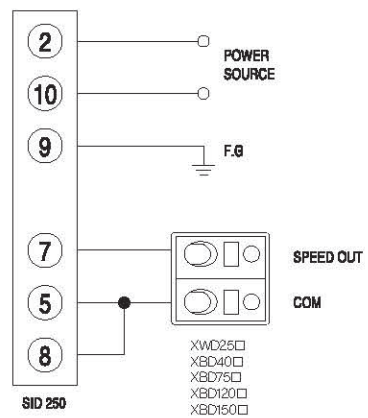
SS Series



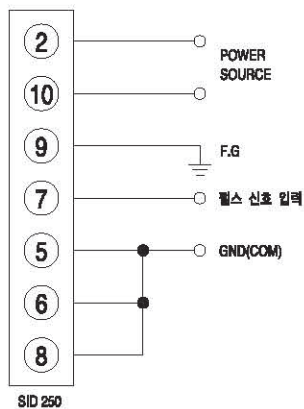
X-TOR Series (12pulse / rpm)



X-TOR Series (15pulse / rpm)



12pulse signal input (open collector)



30pulse signal input (open collector)

