

# XWA type



Search Motor - Volume : Exterior Drawing

## XWA Series

XWA Series is consisting with basic functions required to control the speed, is a brushless DC motor of small-high power and the unit of panel type driver and lines up.

- ①. GEARED MOTOR
- ②. MOTOR
- ③. CONTROL UNIT
- ④. Control Unit Power Supply Cable
- ⑤. Assembly Bolt Measurements
- ⑥. CAD File Download
- ⑦. Catalogue Download

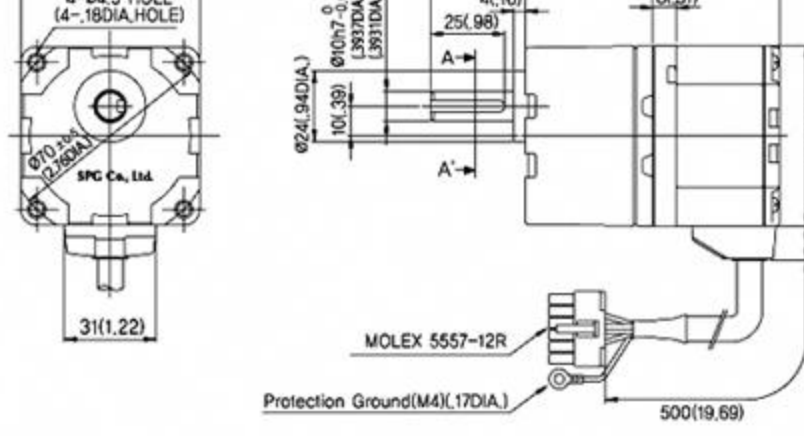
### Model : XWA610( )-□K

#### GEARED MOTOR

##### Model : XWA610( )-□K

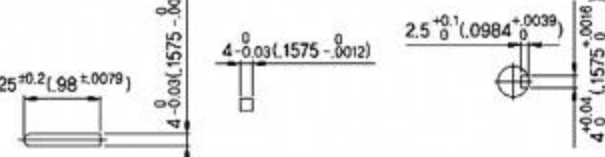
- Motor : XWM610G
- Gear Head : XTG65K~XTG620K
- Control Unit : XWD10( )

[Unit : mm]



##### Key(accessories)

##### Key Groove



※ Table 1

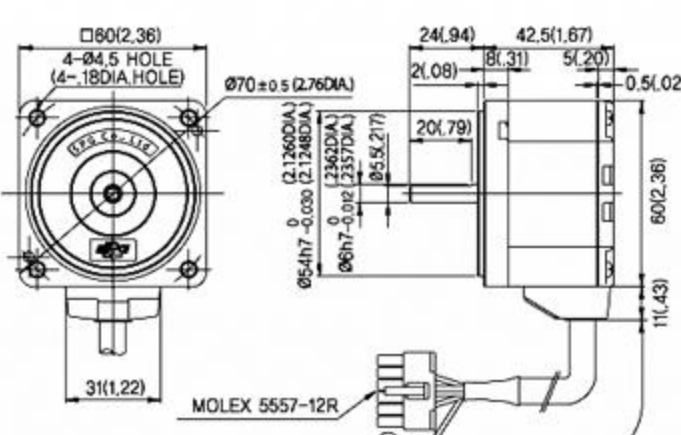
Gear Ratio	Size:mm(inch)
XTG65K~XTG620K	34(1.34)
XTG630K~ XTG6100K	38(1.50)
XTG6200K	43(1.69)

- indicates deceleration ratio.
- ※ Gear head motor is enclosed with a bolt set (refer to P14 for specifications).
- ( ) indicates voltage specification.

#### MOTOR

##### Model : XWM610D

[Unit : mm(inch)]



※ Table 2-Weight

Part	Weight:kg.(lbs)
Motor	0.48(1.06)
Gear Head	
XTG65K~XTG620K	0.28(0.62)
XTG630K~ XTG6100K	0.33(0.73)
XTG6200K	0.37(0.82)

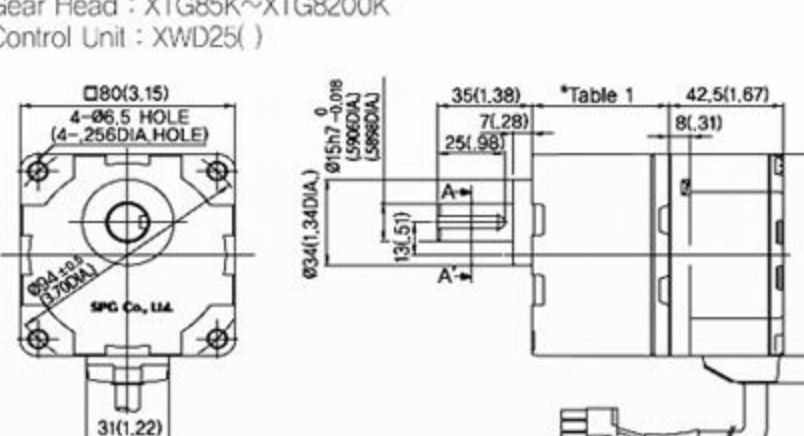
### Model : XWA825( )-□K

#### GEARED MOTOR

##### Model : XWA825( )-□K

- Motor : XWM825G
- Gear Head : XTG85K~XTG8200K
- Control Unit : XWD25( )

[Unit : mm]



##### Key(accessories)

##### Key Groove



※ Table 1

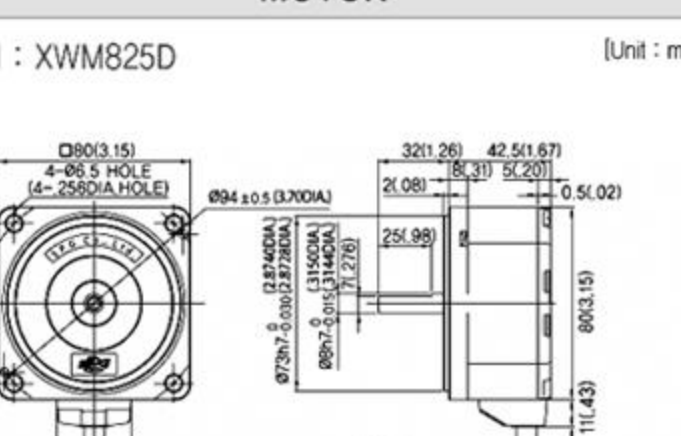
Gear Ratio	Size:mm(inch)
XTG85K~XTG820K	41(1.61)
XTG830K~ XTG8100K	46(1.81)
XTG8200K	51(2.01)

- indicates deceleration ratio.
- ※ Gear head motor is enclosed with a bolt set (refer to P14 for specifications).
- ( ) indicates voltage specification.

#### MOTOR

##### Model : XWM825D

[Unit : mm(inch)]



※ Table 2-Weight

Part	Weight:kg.(lbs)
Motor	0.75(1.65)
Gear Head	
XTG85K~XTG820K	0.61(1.34)
XTG830K~ XTG8100K	0.72(1.59)
XTG8200K	0.80(1.76)

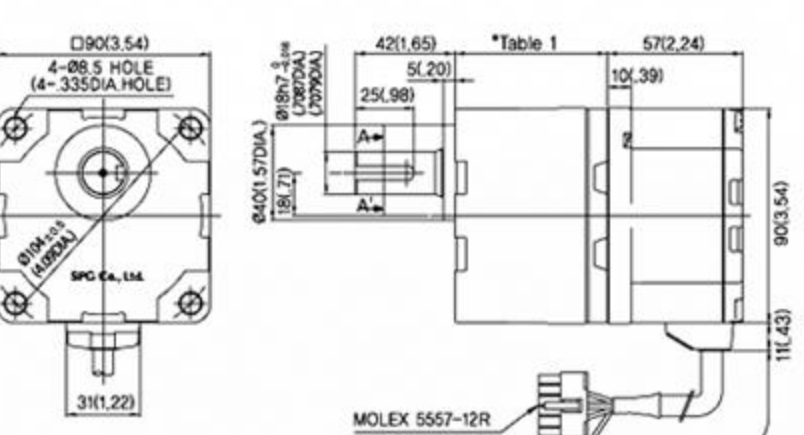
### Model : XWA940( )-□K

#### GEARED MOTOR

##### Model : XWA940( )-□K

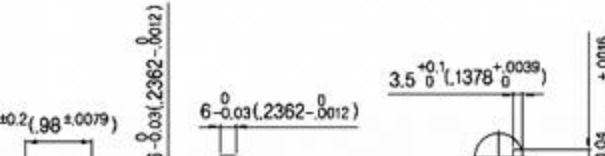
- Motor : XWM940G
- Gear Head : XTG95K~XTG9200K
- Control Unit : XWD40( )

[Unit : mm]



##### Key(accessories)

##### Key Groove



※ Table 1

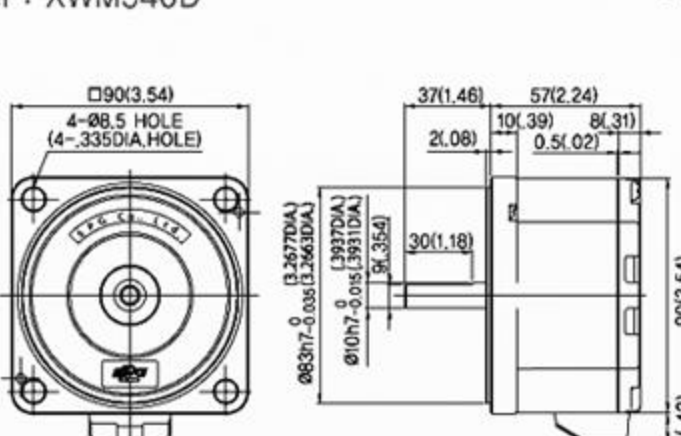
Gear Ratio	Size:mm(inch)
XTG95K~XTG920K	45(1.77)
XTG930K~ XTG9100K	58(2.28)
XTG9200K	64(2.52)

- indicates deceleration ratio.
- ※ Gear motor is enclosed with a bolt set (refer to P14 for specifications).
- ( ) indicates voltage specification.

#### MOTOR

##### Model : XWM940D

[Unit : mm(inch)]



※ Table 2-Weight

Part	Weight:kg.(lbs)
Motor	1.34(2.95)
Gear Head	
XTG95K~XTG920K	0.85(1.87)
XTG930K~ XTG9100K	1.15(2.54)
XTG9200K	1.30(2.87)

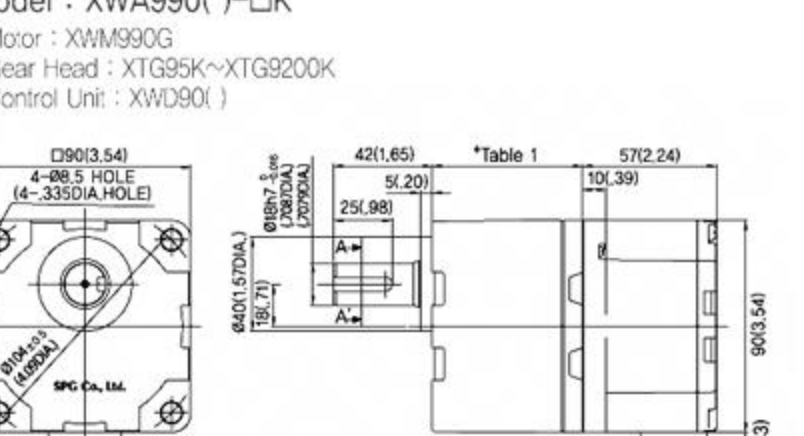
### Model : XWA990( )-□K

#### GEARED MOTOR

##### Model : XWA990( )-□K

- Motor : XWM990G
- Gear Head : XTG95K~XTG9200K
- Control Unit : XWD90( )

[Unit : mm]



##### Key(accessories)

##### Key Groove



※ Table 1

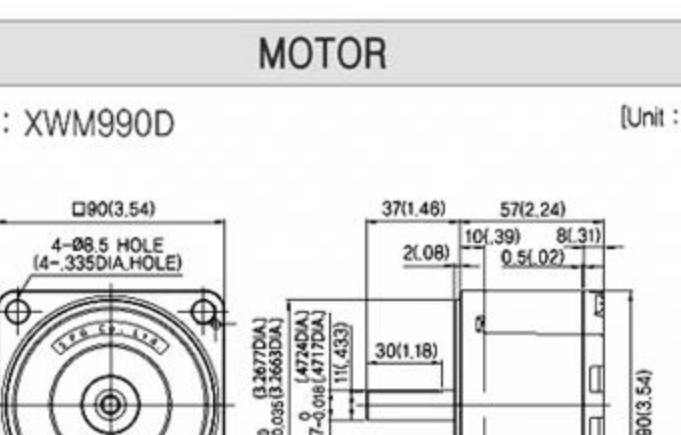
Gear Ratio	Size:mm(inch)
XTG95K~XTG920K	45(1.77)
XTG930K~ XTG9100K	58(2.28)
XTG9200K	64(2.52)

- indicates deceleration ratio.
- ※ Gear head motor is enclosed with a bolt set (refer to P14 for specifications).
- ( ) indicates voltage specification.

#### MOTOR

##### Model : XWM990D

[Unit : mm(inch)]

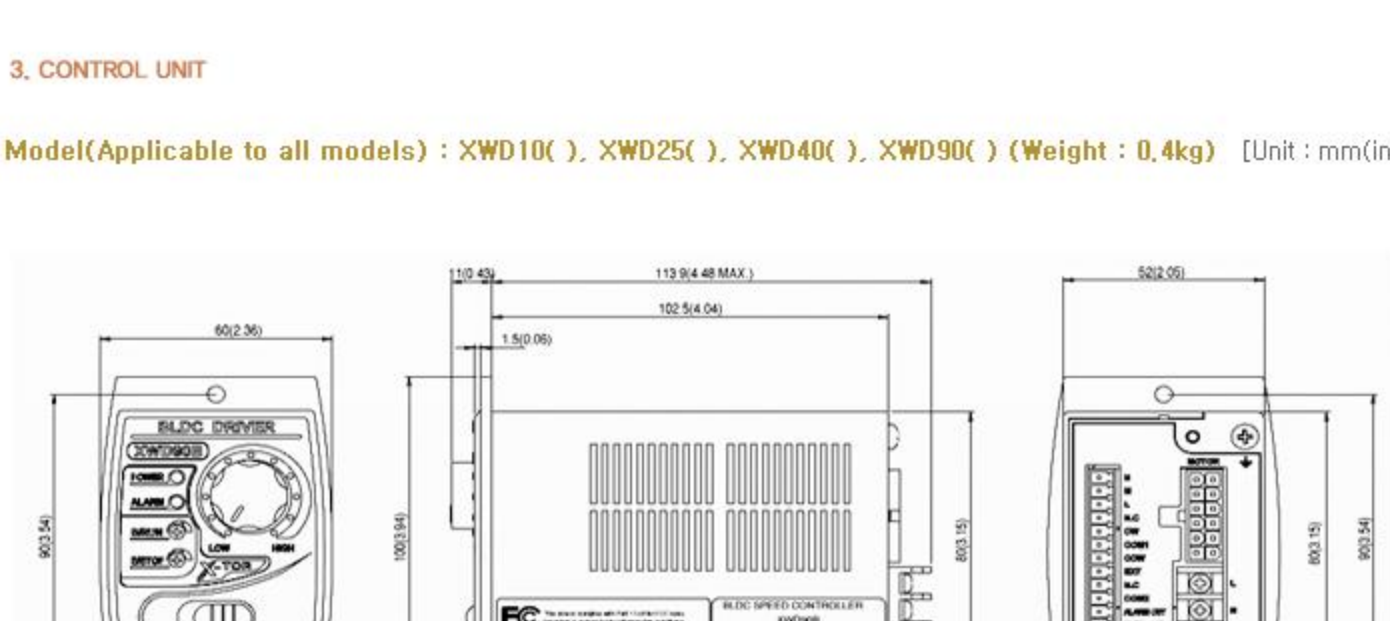


※ Table 2-Weight

Part	Weight:kg.(lbs)
Motor	1.34(2.95)
Gear Head	
XTG95K~XTG920K	0.85(1.87)
XTG930K~ XTG9100K	1.15(2.54)
XTG9200K	1.30(2.87)

### 3. CONTROL UNIT

Model(Applicable to all models) : XWD10( ), XWD25( ), XWD40( ), XWD90( ) (Weight : 0.4kg) [Unit : mm(inch)]



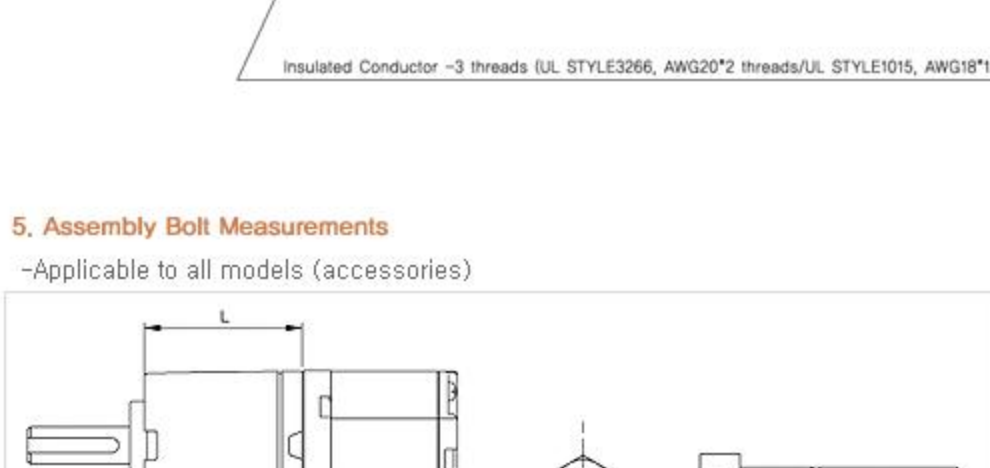
### 4. Control Unit Power Supply Cable

Applicable to all models (accessories)



### 5. Assembly Bolt Measurements

-Applicable to all models (accessories)



MODEL		Accessory Bolts (Flat W/S, Spring W/S, hexagonal nut X 4)		
GEAR HEAD	GEAR MOTOR	L (mm)	φ(mm)	BOLT
XWG65K~XWG620K	XWA610( )-5K~XWA610( )-20K	34	50	M4 P0,7
XWG630K~ XWG6100K	XWA610( )-30K~XWA610( )-100K	38	55	
XWG6200K	XWA610( )-200K	43	60	
XWG85K~XWG820K	XWA825( )-5K~XWA825( )-20K	41	65	M6 P1,0
XWG830K~XWG8100K	XWA825( )-30K~XWA825( )-100K	46	70	
XWG8200K	XWA825( )-200K	51	75	
XWG95K~XWG920K	XWA940( )-5K~XWA940( )-20K	45	75	M8 P1,25
XWG930K~XWG9100K	XWA940( )-30K~XWA940( )-100K	58	90	
XTG9200K	XWA940( )-200K	64	95	