

XBA Type



Search Motor—Volume : Exterior Drawing

XBA Series

XBA series consist of small high power bldc motor and high level box type driver and line up 20~150W output power.

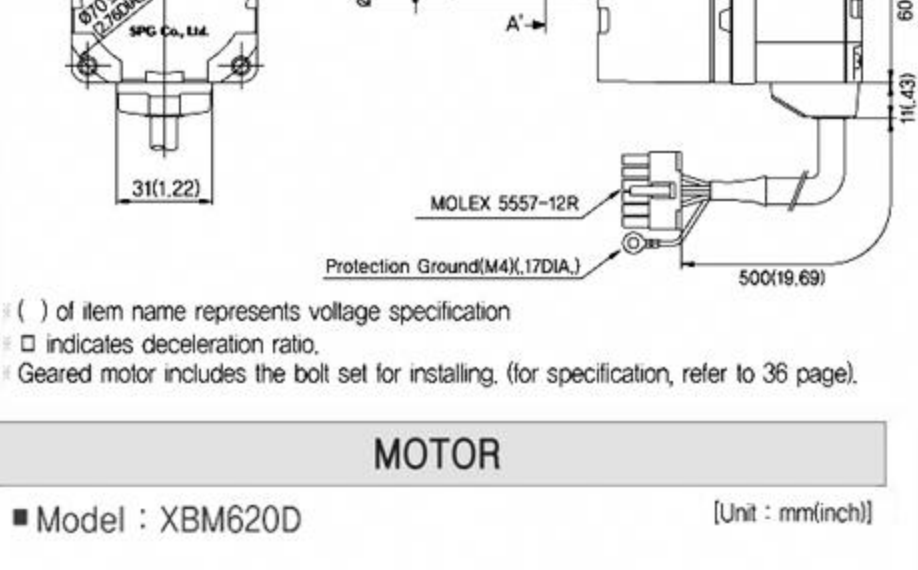
- 1. GEARED MOTOR
- 2. MOTOR
- 3. CONTROL UNIT
- 4. EXTERNAL SPEED DIAL
- 5. MOUNTING PLATE[1 set(2EA)]
- 6. Assembly Bolt Measurements
- 7. CAD File Download
- 8. Catalogue Download

Model : XBA620()-□K

GEARED MOTOR

- Model : XBA620()-□K
- Motor : XBM620G
- Gear Head : XTG65K~XTG6200K
- Control Unit : XBD20()

[Unit : mm]



Key(accessories)

Key Groove

- () of item name represents voltage specification
- indicates deceleration ratio.
- Geared motor includes the bolt set for installing. (for specification, refer to 36 page).

Table 1

Gear Ratio	Size:mm(inch)
XTG65K~XTG620K	34(1.34)
XTG630K~XTG6100K	38(1.50)
XTG6200K	43(1.69)

MOTOR

Model : XBM620D

[Unit : mm(inch)]

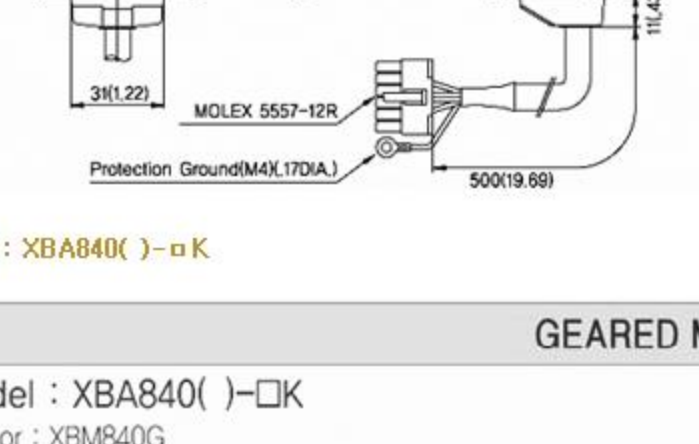


Table 2—Weight

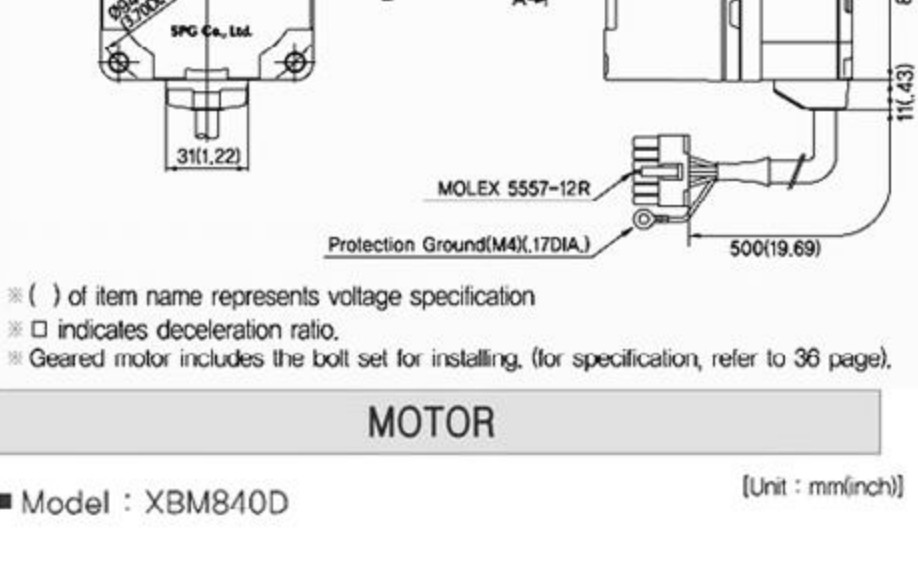
Part	Weight:kg.(lbs)
Motor	0.48(1.06)
Gear Head	
XTG65K~XTG620K	0.28(0.62)
XTG630K~XTG6100K	0.33(0.73)
XTG6200K	0.37(0.82)

Model : XBA840()-□K

GEARED MOTOR

- Model : XBA840()-□K
- Motor : XBM840G
- Gear Head : XTG85K~XTG8200K
- Control Unit : XBD40()

[Unit : mm]



Key(accessories)

Key Groove

- () of item name represents voltage specification
- indicates deceleration ratio.
- Geared motor includes the bolt set for installing. (for specification, refer to 36 page).

Table 1

Gear Ratio	Size:mm(inch)
XTG85K~XTG820K	41(1.61)
XTG830K~XTG8100K	46(1.81)
XTG8200K	51(2.01)

MOTOR

Model : XBM840D

[Unit : mm(inch)]

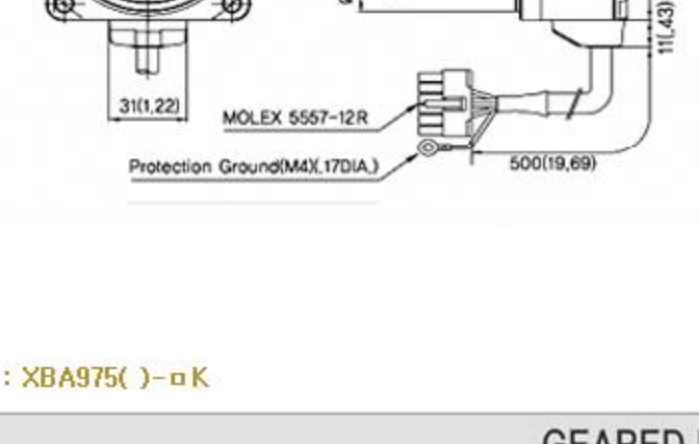


Table 2—Weight

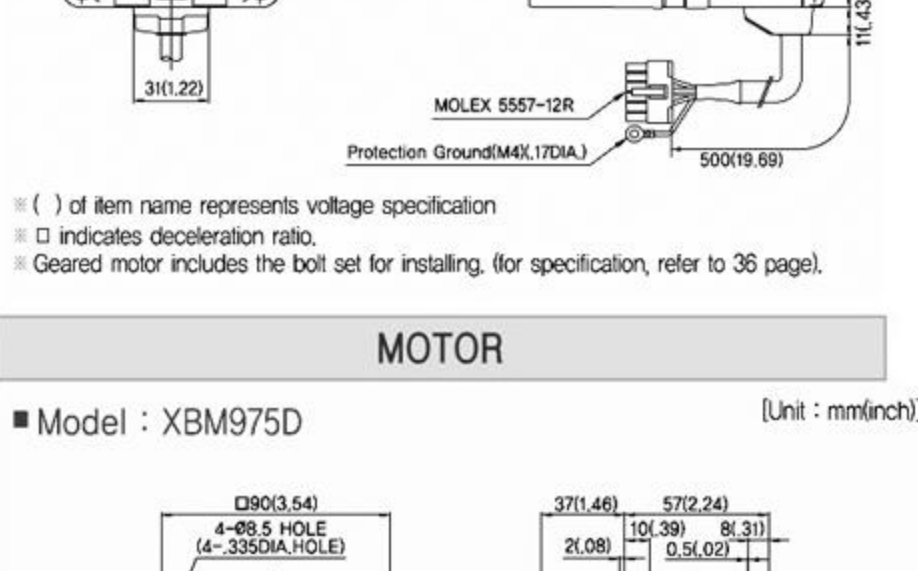
Part	Weight:kg.(lbs)
Motor	0.75(1.65)
Gear Head	
XTG85K~XTG820K	0.61(1.34)
XTG830K~XTG8100K	0.72(1.58)
XTG8200K	0.80(1.76)

Model : XBA975()-□K

GEARED MOTOR

- Model : XBA975()-□K
- Motor : XBM975G
- Gear Head : XTG95K~XTG9200K
- Control Unit : XBD75()

[Unit : mm]



Key(accessories)

Key Groove

- () of item name represents voltage specification
- indicates deceleration ratio.
- Geared motor includes the bolt set for installing. (for specification, refer to 36 page).

Table 1

Gear Ratio	Size:mm(inch)
XTG95K~XTG920K	45(1.77)
XTG930K~XTG9100K	58(2.28)
XTG9200K	64(2.52)

MOTOR

Model : XBM975D

[Unit : mm(inch)]



Table 2—Weight

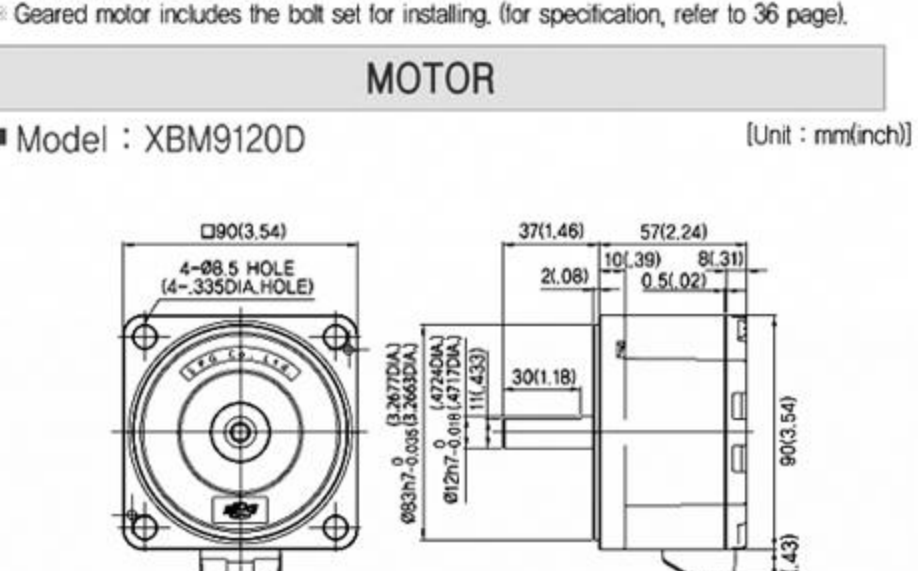
Part	Weight:kg.(lbs)
Motor	1.34(2.95)
Gear Head	
XTG95K~XTG920K	0.85(1.87)
XTG930K~XTG9100K	1.15(2.54)
XTG9200K	1.30(2.87)

Model : XBA9120()-□K

GEARED MOTOR

- Model : XBA9120()-□K
- Motor : XBM9120G
- Gear Head : XTG95K~XTG9200K
- Control Unit : XBD120()

[Unit : mm]



Key(accessories)

Key Groove

- () of item name represents voltage specification
- indicates deceleration ratio.
- Geared motor includes the bolt set for installing. (for specification, refer to 36 page).

Table 1

Gear Ratio	Size:mm(inch)
XTG95K~XTG920K	45(1.77)
XTG930K~XTG9100K	58(2.28)
XTG9200K	64(2.52)

MOTOR

Model : XBM9120D

[Unit : mm(inch)]

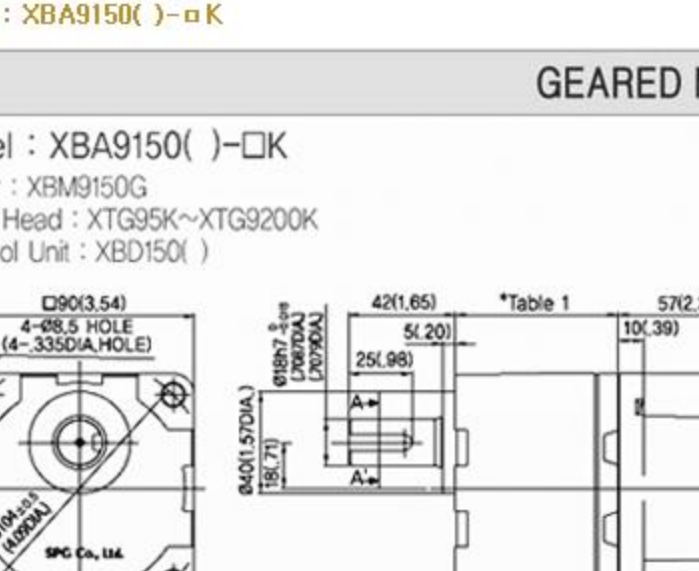


Table 2—Weight

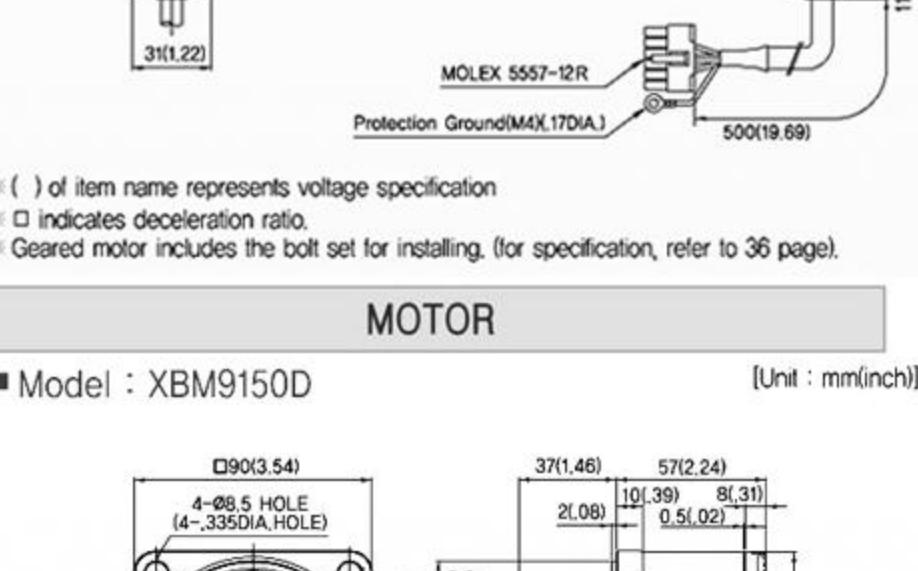
Part	Weight:kg.(lbs)
Motor	1.34(2.95)
Gear Head	
XTG95K~XTG920K	0.85(1.87)
XTG930K~XTG9100K	1.15(2.54)
XTG9200K	1.30(2.87)

Model : XBA9150()-□K

GEARED MOTOR

- Model : XBA9150()-□K
- Motor : XBM9150G
- Gear Head : XTG95K~XTG9200K
- Control Unit : XBD150()

[Unit : mm]



Key(accessories)

Key Groove

- () of item name represents voltage specification
- indicates deceleration ratio.
- Geared motor includes the bolt set for installing. (for specification, refer to 36 page).

Table 1

Gear Ratio	Size:mm(inch)
XTG95K~XTG920K	45(1.77)
XTG930K~XTG9100K	58(2.28)
XTG9200K	64(2.52)

MOTOR

Model : XBM9150D

[Unit : mm(inch)]

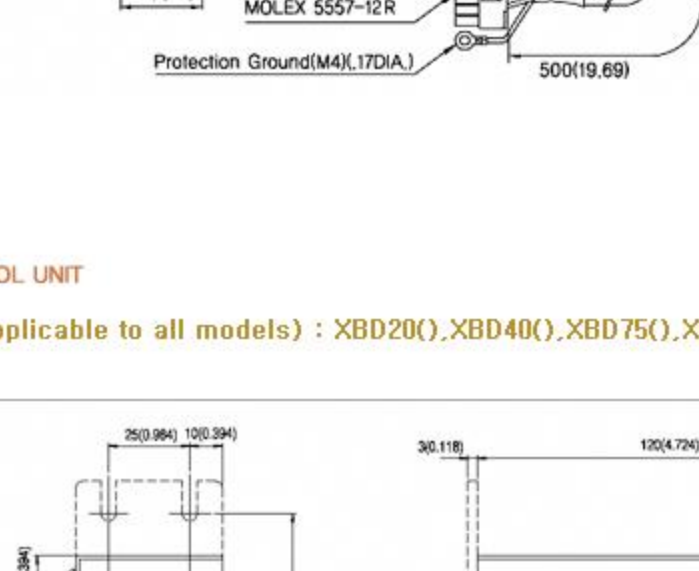
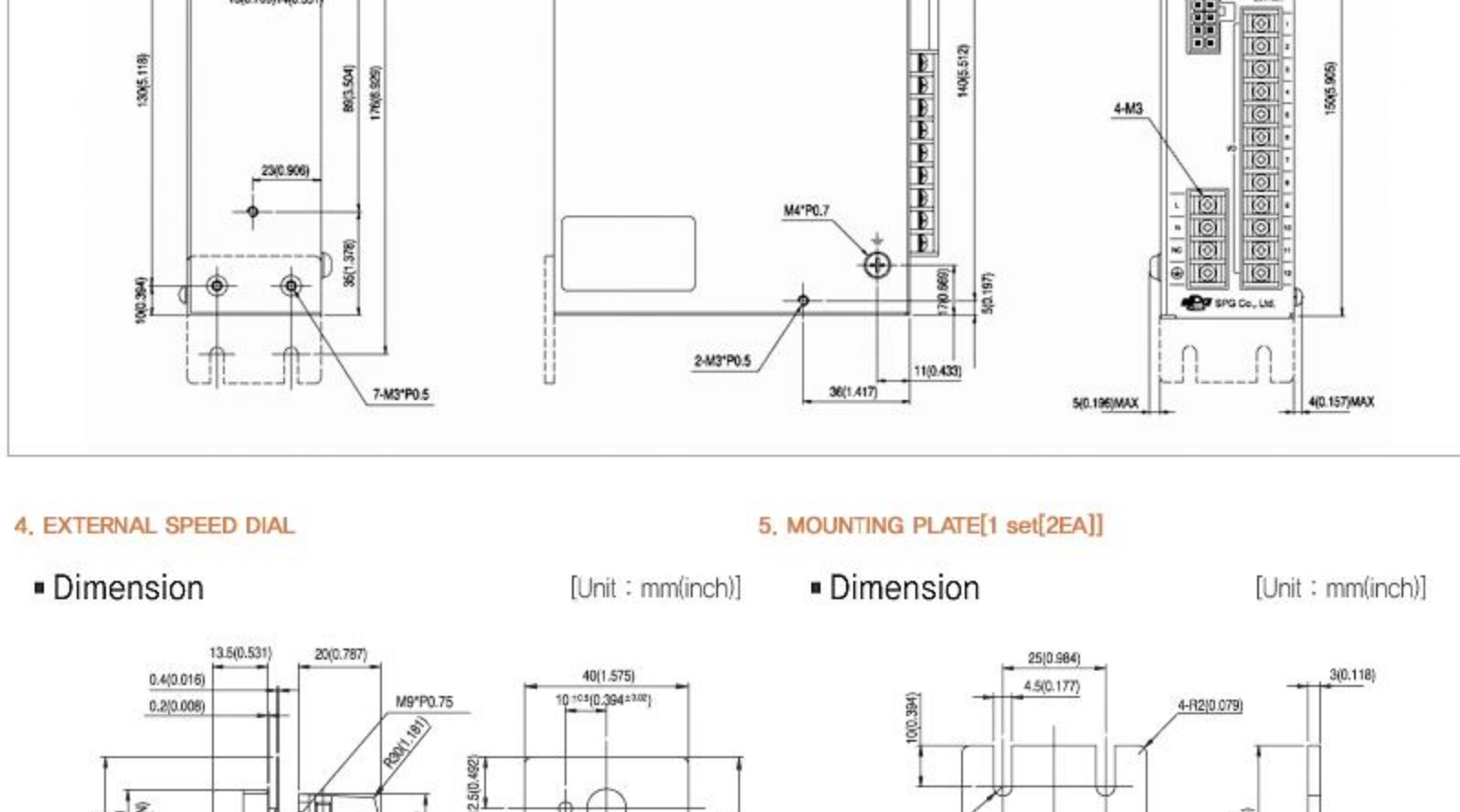


Table 2—Weight

Part	Weight:kg.(lbs)
Motor	1.34(2.95)
Gear Head	
XTG95K~XTG920K	0.85(1.87)
XTG930K~XTG9100K	1.15(2.54)
XTG9200K	1.30(2.87)

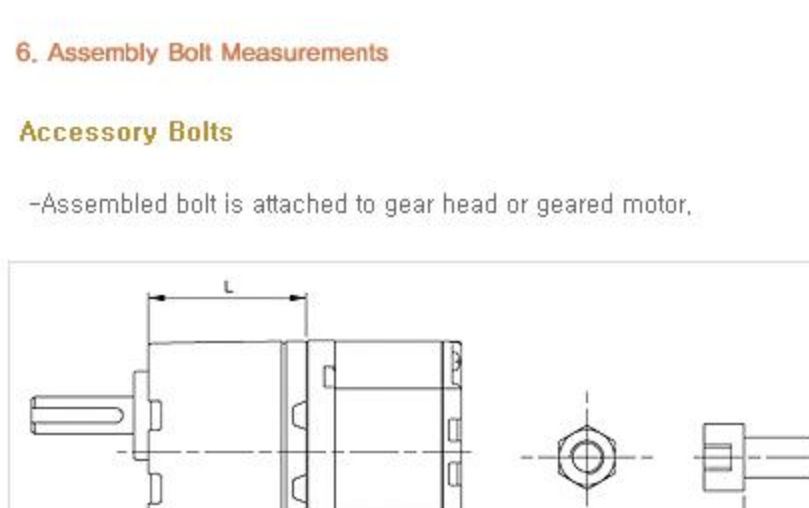
3. CONTROL UNIT

Model(Applicable to all models) : XBD20(),XBD40(),XBD75(),XBD120(),XBD150() (Weight : 0.7kg) [Unit : mm]



4. EXTERNAL SPEED DIAL

Dimension [Unit : mm(inch)]



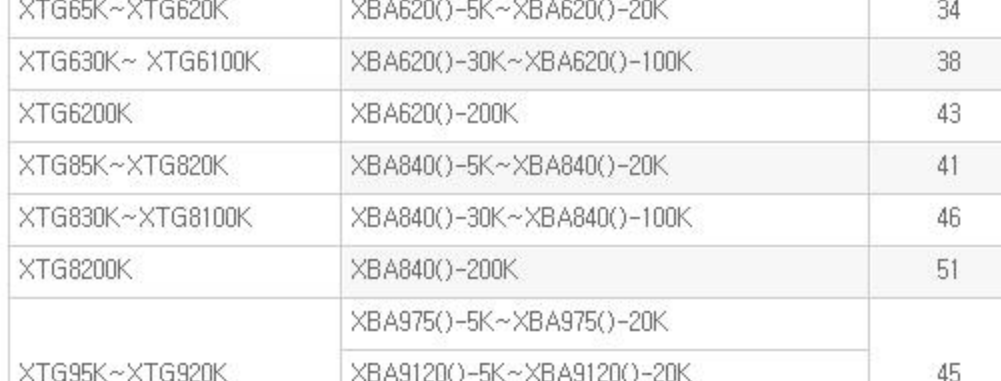
5. MOUNTING PLATE[1 set(2EA)]

Dimension [Unit : mm(inch)]



6. Assembly Bolt Measurements

Assembled bolt is attached to gear head or geared motor.



MODEL		Accessory Bolts (Flat W/S, Spring W/S, hexagonal nut X 4)		
GEAR HEAD	GEAR MOTOR	L (mm)	φ (mm)	BOLT
XTG65K~XTG620K	XBA620()-5K~XBA620()-20K	34	50	M4 P0,7
XTG630K~XTG6100K	XBA620()-30K~XBA620()-100K	38	55	
XTG6200K	XBA620()-200K	43	60	
XTG65K~XTG820K	XBA840()-5K~XBA840()-20K	41	65	M6 P1,0
XTG830K~XTG8100K	XBA840()-30K~XBA840()-100K	46	70	
XTG8200K	XBA840()-200K	51	75	
XTG95K~XTG920K	XBA975()-5K~XBA975()-20K	45	75	M8 P1,25
	XBA9120()-5K~XBA9120()-20K			
	XBA9150()-5K~XBA9150()-20K			
XTG930K~XTG9100K	XBA975()-30K~XBA975()-100K	58	90	
	XBA9120()-30K~XBA9120()-100K			
	XBA9150()-30K~XBA9150()-100K			
XTG9200K	XBA975()-200K	64	95	
	XBA9120()-200K			
	XBA9150()-200K			