

Option



Search Motor-Volume :

OPTION

The X-TOR series is comprised of high-strength, long-lasting, and silent running motors that directly connect to a sequencer without the use of a power relay.

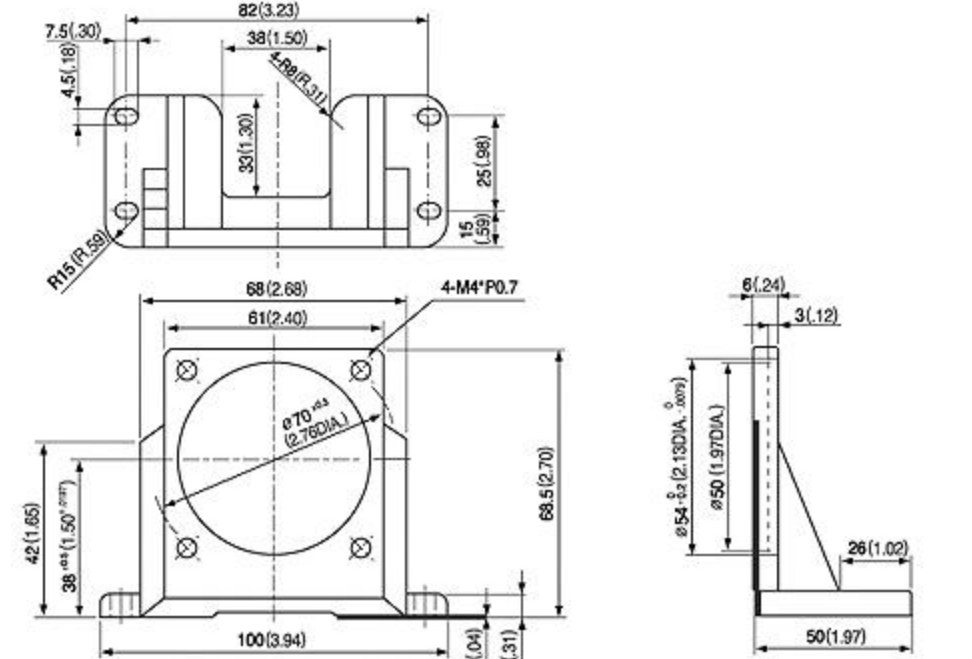
- 1. Motor & Gear Head Plate
- 2. Extension Wire
- 3. External Speed Dial
- 4. DIGITAL INDICATOR
- 5. DIN RAIL MOUNTING SOCKET
- 6. DIN RAIL MOUNTING PLATE
- 7. CAD File Download
- 8. Catalogue Download

1. Motor & Gear Head Plate

■ 60(2.36) use



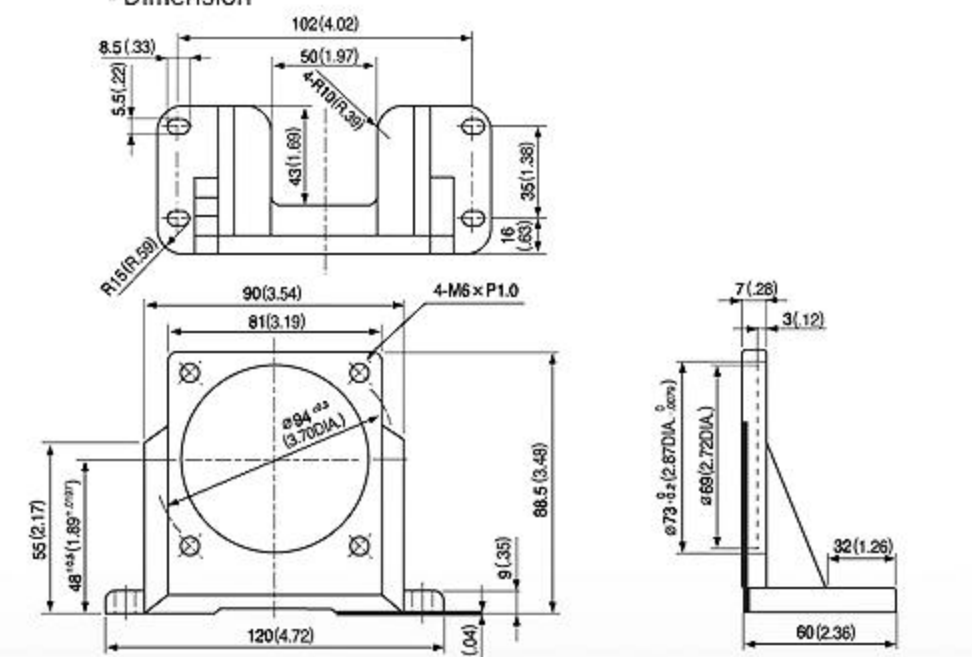
■ Dimension



■ 80(3.15) use



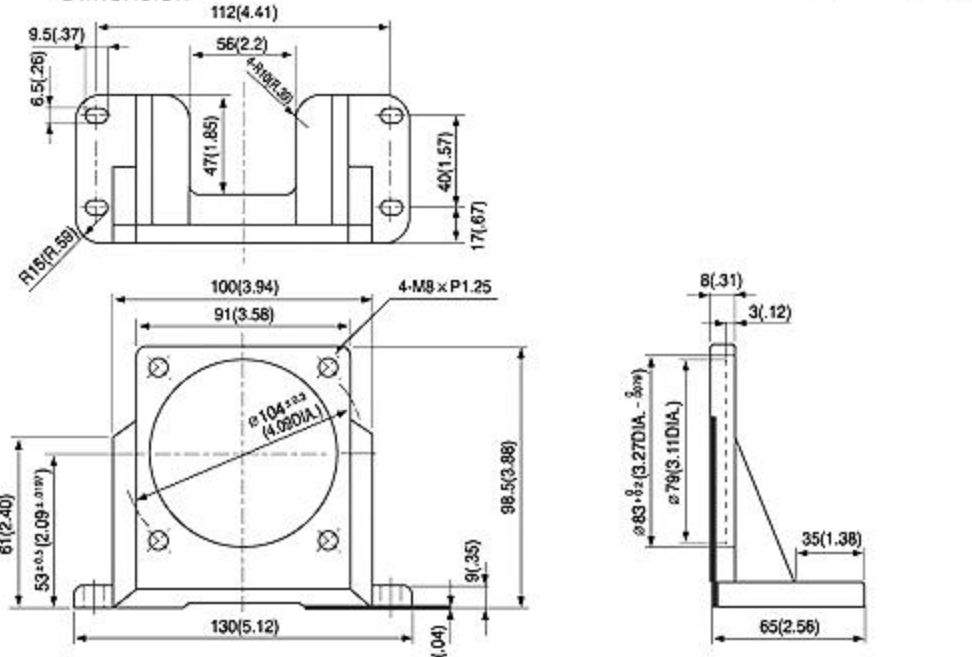
■ Dimension



■ 90(3.54) use



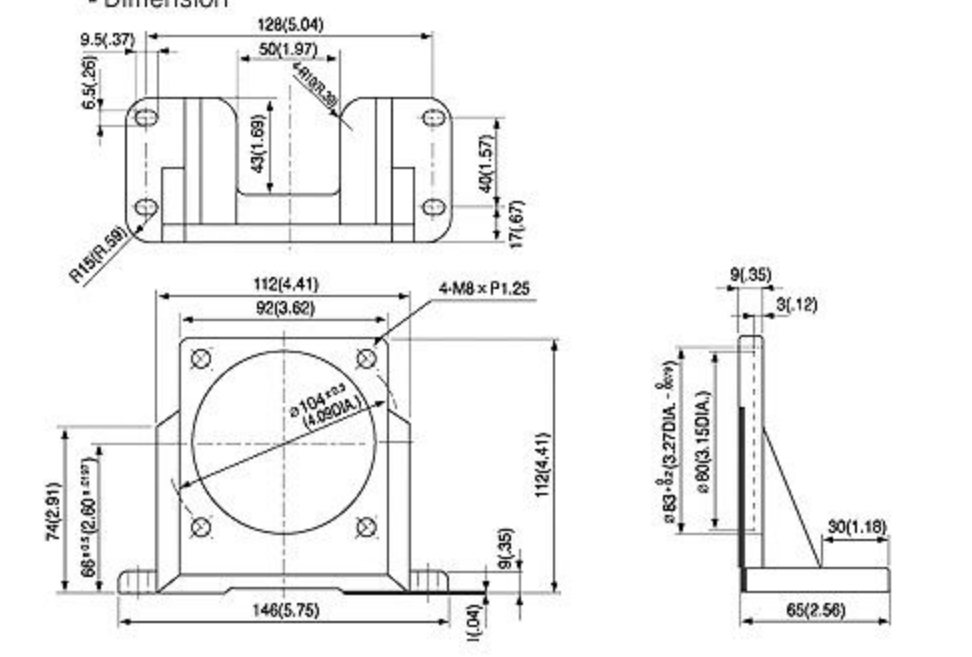
■ Dimension



■ 90(3.54) use



■ Dimension



▲TOP

2. Extension Wire



■ DIMENSION



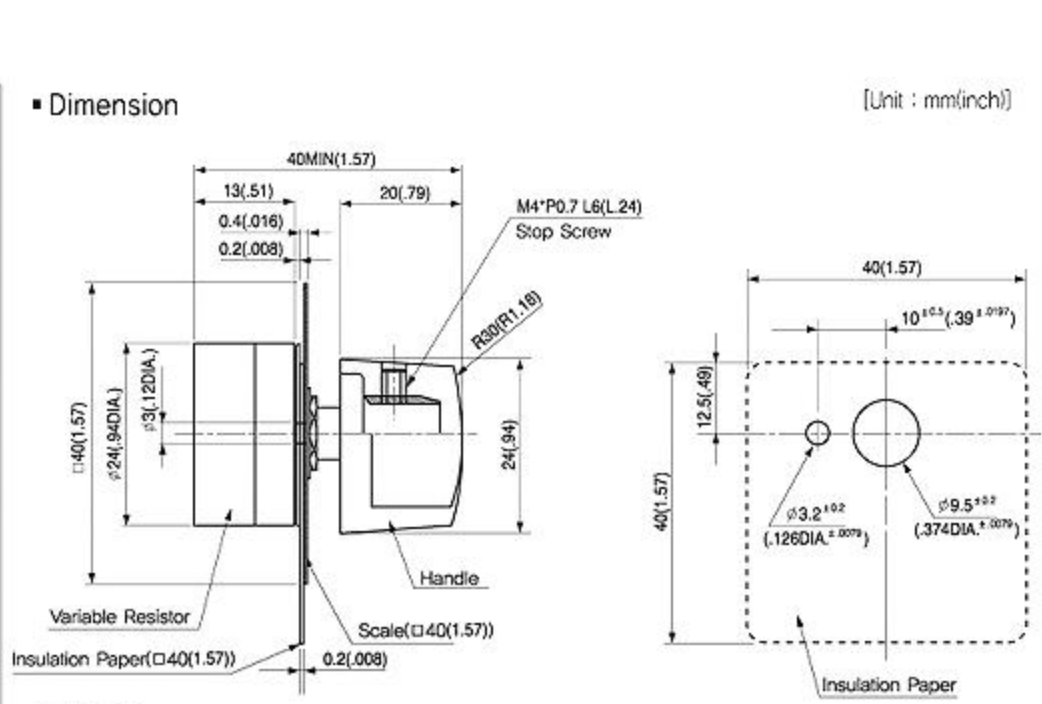
■ Model

• XTA Series				• XEA Series			
Model	L(extension wire)	Terminal"A"	Terminal"B"	Model	L(extension wire)	Terminal"A"	Terminal"B"
XTAEW-1	1m(39.37)			XEAEW-1	1m(39.37)		
XTAEW-2	2m(78.74)			XEAEW-2	2m(78.74)		
XTAEW-3	3m(118.11)	MOLEX	MOLEX	XEAEW-3	3m(118.11)	MOLEX	MOLEX
XTAEW-5	5m(196.85)	5559-10P	5557-10R	XEAEW-5	5m(196.85)	5559-12P	5557-12R
XTAEW-10	10m(393.70)			XEAEW-10	10m(393.70)		

3. External Speed Dial



■ Dimension



■ Model

Model	Characteristics
SVR20KH	20x, 1/4W · B Characteristics

※ XED SERIES is fitted.

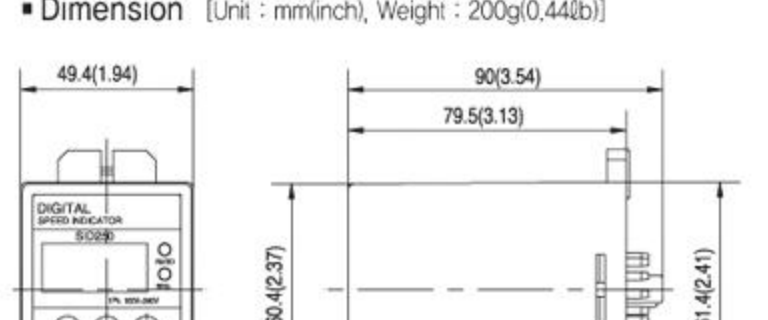
4. DIGITAL INDICATOR

■ PART NAME : SID250

This is free power type of digital displayed speed indicator, that can directly displays rotation speed for the motor and the gearhead output shaft.



■ Dimension [Unit : mm(inch), Weight : 200g(0.44lb)]



Accessory

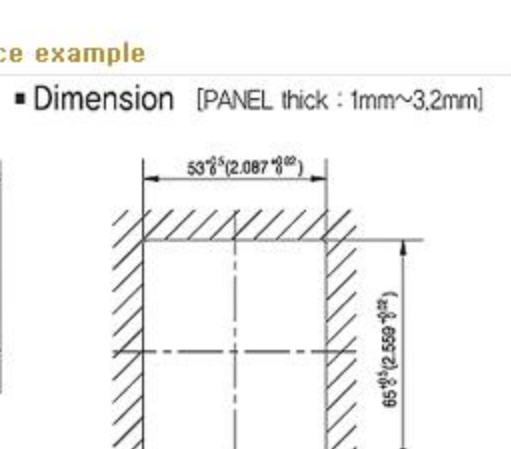
1 adaptor for installing panel and 1 round socket are fitted.

■ If adaptor and round socket is mounted in the body ■ Interface example

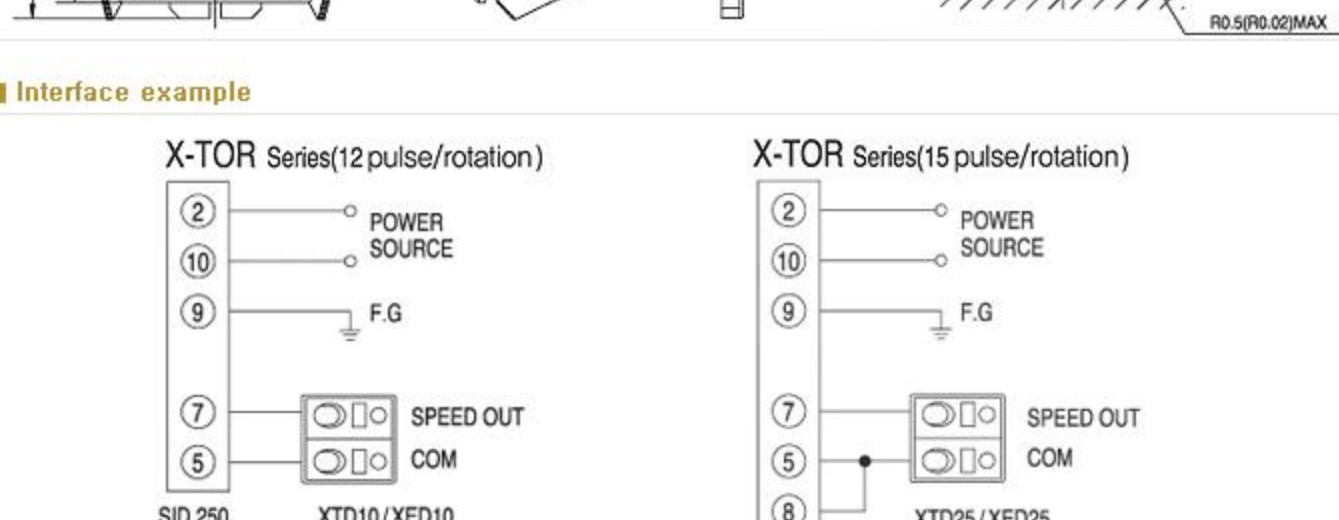
■ Dimension [Unit : mm(inch)]



■ Dimension [PANEL thick : 1mm~3.2mm]



■ Interface example



▲TOP

5. DIN RAIL MOUNTING SOCKET



■ Dimension [Unit : mm(inch), Weight : 75g(0.165lb)]

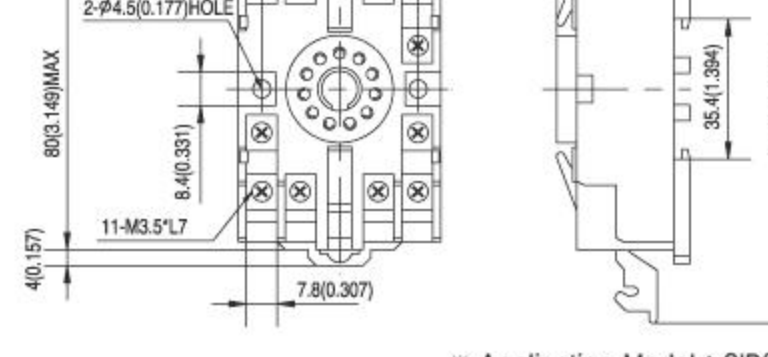


※ Application Model : SID250

6. DIN RAIL MOUNTING PLATE



■ Dimension [Unit : mm(inch)]



※ Application Model : XEA Series