

### FFC35 Series

1/2" flow couplings feature double the flow of the HFC Series couplings. The FFC Series has a non-valved bore that increases flow and minimizes turbulence. The polysulfone material is able to withstand demanding applications and features physical strength, chemical resistance and autoclavability. An ergonomic design and a large, shrouded thumb latch pad produce a coupling that is easy to grip and simple to operate.

#### Features

- No valves
- Polysulfone material
- Ergonomic design

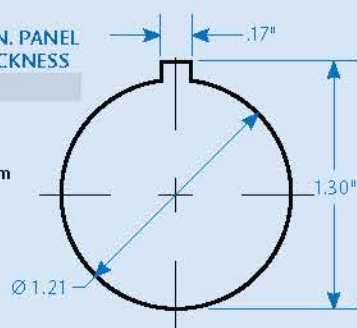
#### Benefits

- Exceptional flow
- Physically strong and autoclavable
- Easy to grip, simple to operate

### Panel Mount Dimensions

	PANEL OPENING	MAX. PANEL THICKNESS	MIN. PANEL THICKNESS
COUPLING BODIES	see drawing	.25	.03

Gasket Thickness: .06"  
Mounting Hole: 1.21" diameter  
Coupling Spacing: 1.92" minimum



## FFC35 SERIES

### Specifications

**Pressure:** Vacuum to 125 psi, 8.6 bar

**Temperature:** -40°F to 280°F (-40°C to 138°C)

#### Materials:

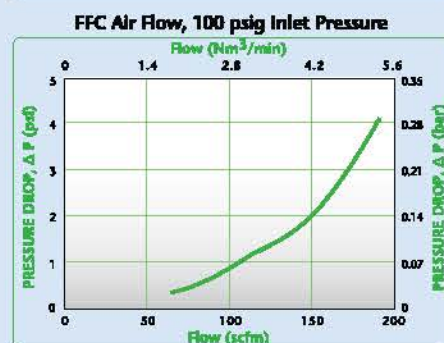
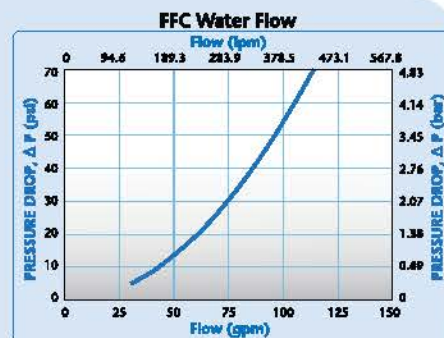
- Main components: Polysulfone
- Thumb latch: Polysulfone
- External spring: 316 stainless steel
- O-rings: FDA Buna-N
- Panel mount gasket: EPDM
- Female GHT gasket: FDA EPDM

#### Color:

Natural white with dark gray latch

**Tubing Sizes:** 3/4" ID, 19.0mm ID

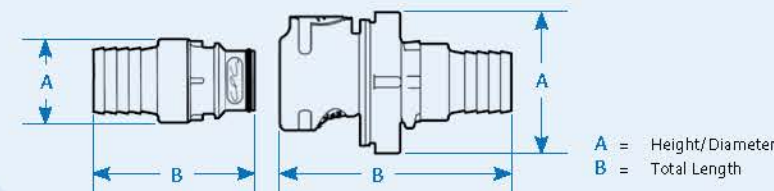
**WARNING:** Pressure, temperature, chemicals, and operating environment can affect the performance of couplings. It is the customer's responsibility to test the suitability of Colder products in their own application conditions. Use the graphs on the following page as a guide.



These graphs are intended to give you a general idea of the performance capabilities of each product line.

### Non-Valved

Colder's FFC35 Series couplings feature a wide open, straight-thru flow path.



### Product Dimensions (cont.)

### Coupling Bodies

## POLYSULFONE

TERMINATION	THREAD SIZE	STRAIGHT THRU	A	B
IN-LINE PIPE THREAD	1/2" NPT	FFC10835	1.44	2.88
	1/2" BSPT	FFC10835BSPT	1.44	2.88
	3/4" NPT	FFC101235	1.44	3.12
	3/4" BSPT	FFC101235BSPT	1.44	3.12
	3/4" GHT	FFC101235GHT	1.44	2.94
IN-LINE PIPE THREAD (FEMALE)	3/4" GHT	FFC191235GHT	1.44	2.70
	3/4" BSPP	FFC191235BSPP	1.44	2.70
BULKHEAD PANEL MOUNT HOSE BARB	3/4" ID	FFC161235	1.82	2.94
IN-LINE HOSE BARB	3/4" ID	FFC171235	1.44	2.94

### Accessories

TERMINATION		MATERIAL	PART NO.
PANEL MOUNT GASKET REPLACEMENT	For sealing panel mount bodies listed above	EPDM	621200
GHT GASKET REPLACEMENT	For sealing female threads	FDA EPDM	2339400

### Coupling Inserts

## POLYSULFONE

TERMINATION	THREAD SIZE	STRAIGHT THRU	A	B
IN-LINE PIPE THREAD	1/2" NPT	FFC24835	1.16	1.95
	1/2" BSPT	FFC24835BSPT	1.16	1.95
	3/4" NPT	FFC241235	1.23	2.14
	3/4" BSPT	FFC241235BSPT	1.23	2.14
	3/4" GHT	FFC241235GHT	1.16	2.01
IN-LINE PIPE THREAD (FEMALE)	3/4" GHT	FFC261235GHT	1.37	1.77
	3/4" BSPP	FFC261235BSPP	1.37	1.77
IN-LINE HOSE BARB	3/4" ID	FFC221235	1.00	2.02

All measurements are in inches (millimeters) unless otherwise noted. Tubing must meet stated inside and outside diameters.

Call toll free 1-800-444-2474 or visit us at [www.colder.com](http://www.colder.com)

Copyright © 2011 by Colder Products Company. All rights reserved. Colder Products Company, Colder Products and CPC are registered trademarks with the US Patent & Trademark Office.