



ASEPTIQUICK CONNECTOR

AseptiQuik Connectors provide quick and easy sterile connections, even in non-sterile environments. AseptiQuik's "CLICK-PULL-TWIST" design enables users to transfer media easily with less risk of operator error. The connector's robust design provides reliable performance without the need for clamps, fixtures or tube welders. Biopharmaceutical manufacturers can make sterile connections with the quality and market availability they expect from the leader in single-use connection technology.

Features

- CLICK-PULL-TWIST Design
- Membrane pull tabs
- Robust Construction
- Integrated Lock Ring
- Colder Click
- Market Availability

Benefits

- Intuitive three-step connection process reduces risk of operator error
- Ensure simultaneous and secure removal of both membranes
- Repeatable and reliable performance with no additional hardware required
- Secures final connection preventing disassembly
- Audible confirmation of completed assembly steps
- Open access through multiple supply chain partners

AseptiQuik Specifications

Pressure: Up to 60 psi, 4.1 bar

Temperature: 39°F to 104°F (4°C to 40°C)

Typical Flow Rate: $C_v = 14.4$ max

Sterilization:

Gamma: Up to 50kGy irradiation

Autoclave:

High Temp (HT) Version: Up to 266°F (130°C) for 30 minutes

Termination Sizes:

1/2" ID hose barb (12.7mm), 3/8" hose barb (9.5mm) and 3/4" sanitary

Materials:

Main Components: Polycarbonate (white), USP Class VI, ADCF

Lock Ring:

Polycarbonate (blue), USP Class VI, ADCF

Pull Tabs:

Polycarbonate (blue, standard version), USP Class VI, ADCF

Polycarbonate (white, HT version), USP Class VI, ADCF

Caps:

Polypropylene (clear), USP Class VI, ADCF

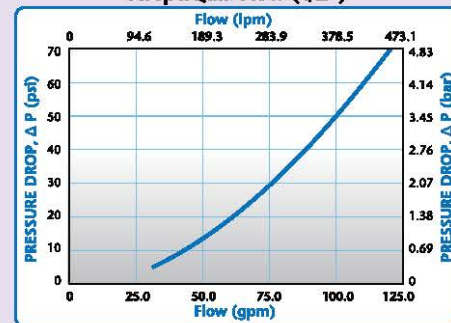
Seals:

Silicone (clear), platinum-cured, USP Class VI, ADCF

Membrane:

Polyethylene (standard version)
Hydrophobic polyethersulfone (HT version)

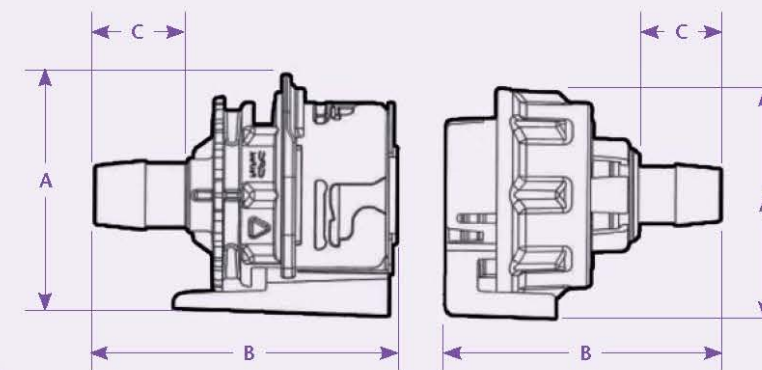
AseptiQuik Flow (1/2")



This graph is intended to give you a general idea of the performance of the product.

Visit us at

www.colder.com/aseptiquik or call 651-645-0091 for more information.



Product Dimensions

A = Height/Diameter
B = Total Length
C = Hose Barb Length

Coupling Bodies

POLYCARBONATE with Blue Pull Tabs

TERMINATION	PART NO.	A	B	C
1/2" HOSE BARB	AQC17008	2.36 (59.9)	2.95 (74.9)	0.89 (22.6)
3/8" HOSE BARB	AQC17006	2.36 (59.9)	2.74 (69.6)	0.65 (16.5)
3/4" SANITARY	AQC33012	2.36 (59.9)	2.73 (69.3)	0.70 (17.8)

Coupling Bodies - High Temperature

POLYCARBONATE with White Pull Tabs

TERMINATION	PART NO.	A	B	C
1/2" HOSE BARB	AQC17008HT	2.36 (59.9)	2.95 (74.9)	0.89 (22.6)
3/8" HOSE BARB	AQC17006HT	2.36 (59.9)	2.74 (69.6)	0.65 (16.5)
3/4" SANITARY	AQC33012HT	2.36 (59.9)	2.73 (69.3)	0.70 (17.8)

Coupling Inserts

POLYCARBONATE with Blue Pull Tabs

TERMINATION	PART NO.	A	B	C
1/2" HOSE BARB	AQC22008	2.50 (63.5)	2.99 (75.9)	0.89 (22.6)
3/8" HOSE BARB	AQC22006	2.50 (63.5)	2.90 (73.7)	0.65 (16.5)
3/4" SANITARY	AQC44012	2.50 (63.5)	2.80 (71.1)	0.70 (17.8)

Coupling Inserts - High Temperature

POLYCARBONATE with White Pull Tabs

TERMINATION	PART NO.	A	B	C
1/2" HOSE BARB	AQC22008HT	2.50 (63.5)	2.99 (75.9)	0.89 (22.6)
3/8" HOSE BARB	AQC22006HT	2.50 (63.5)	2.90 (73.7)	0.65 (16.5)
3/4" SANITARY	AQC44012HT	2.50 (63.5)	2.80 (71.1)	0.70 (17.8)

CLICK-PULL-TWIST Assembly Procedure



Align male and female couplings, push together until "Colder Click" confirmation. Slight rotation of lock ring may be required for proper alignment prior to connection.



Snap membrane, pull tabs together and pull from connector.



Twist the blue lock ring clockwise until "Colder Click" and rib to arrow alignment confirms secure final connection.



Call toll free 1-800-444-2474 or visit us at www.colder.com

Copyright © 2011 by Colder Products Company. All rights reserved. Colder Products Company, Colder Products and CPC are registered trademarks with the US Patent & Trademark Office.

ASEPTIQUICK DC CONNECTOR

AseptiQuik DC Specifications

Pressure: Up to 60 psi, 4.1 bar

Temperature:
39°F to 104°F (4°C to 40°C)

Sterilization:
Gamma: Up to 50kGy irradiation
Autoclave:

High Temp (HT) Version:
Up to 266°F (130°C) for 30 minutes

Termination Sizes:
1/4", 3/8" and 1/2" (6.4mm, 9.5mm and 12.7)

Materials:
Main Components:
Polycarbonate (white), USP Class VI, ADCF

Lock Ring:
Polycarbonate (blue), USP Class VI, ADCF

Pull Tabs:
Polycarbonate (blue, standard version),
USP Class VI, ADCF

Polycarbonate (white, HT version),
USP Class VI, ADCF

Caps:
Polypropylene (clear), USP Class VI, ADCF

Seals:
Silicone (clear), platinum-cured, USP Class VI,
ADCF

Membrane:
Polyethylene (standard version)
Hydrophobic polyethersulfone (HT version)

Springs:
316 stainless steel

Mates with standard AseptiQuik halves.
• AQCDC Inserts mate with standard AQDC Bodies
• AQCDC Bodies mate with standard AQDC Inserts

AseptiQuik DC Flow



This graph is intended to give you a general idea of the performance of the product.

AseptiQuik DC Connectors are the first all-in-one single-use connection technology to offer both a sterile connection and a sterile disconnection. With the AseptiQuik DC Connector, manufacturers can make a quick and easy sterile connection and disconnection, even in non-sterile environments.

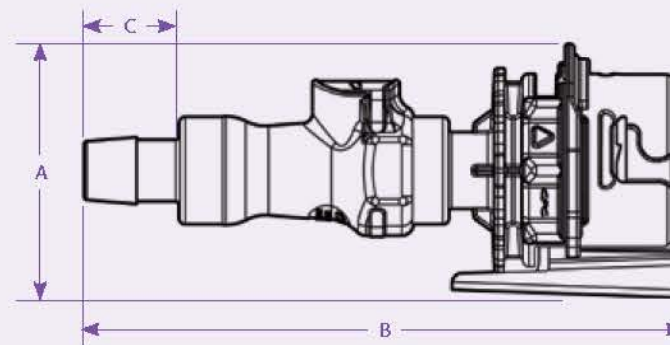
AseptiQuik DC's intuitive "CLICK-PULL-TWIST" design enables users to transfer media easily with less risk of operator error. After transfer is complete, the connector features a simple one-step disconnection that maintains media sterility by preventing external organisms from entering into the media flow path. The connector's robust design and automatic shutoff valves provide reliable performance without the need for sanitary clamps, fixtures or tube welders.

Features

- CLICK-PULL-TWIST Design
- Simple One-Step Disconnection
- Membrane Pull Tabs
- Robust Construction
- Colder Click
- Market Availability

Benefits

- Intuitive three-step connection process reduces risk of operator error
- Maintains media sterility in each half by preventing external organisms from entering the flow path
- Ensure simultaneous and secure removal of both membranes
- Repeatable and reliable performance with no additional hardware required
- Audible confirmation of completed assembly steps
- Open access through multiple supply chain partners



Product Dimensions

- A = Height/Diameter (With cap)
- B = Total Length (With cap)
- C = Hose Barb Length

Coupling Bodies

POLYCARBONATE with Blue Pull Tabs

TERMINATION	PART NO.	A	B	C
1/4" HOSE BARB	AQCDC17004	2.36 (59.9)	5.33 (135.4)	0.60 (15.2)
3/8" HOSE BARB	AQCDC17006	2.36 (59.9)	5.33 (135.4)	0.60 (15.2)
1/2" HOSE BARB	AQCDC17008	2.36 (59.9)	5.62 (142.7)	0.89 (22.6)

Coupling Bodies - High Temperature

POLYCARBONATE with White Pull Tabs

TERMINATION	PART NO.	A	B	C
1/4" HOSE BARB	AQCDC17004HT	2.36 (59.9)	5.33 (135.4)	0.60 (15.2)
3/8" HOSE BARB	AQCDC17006HT	2.36 (59.9)	5.33 (135.4)	0.60 (15.2)
1/2" HOSE BARB	AQCDC17008HT	2.36 (59.9)	5.62 (142.7)	0.89 (22.6)

Coupling Inserts

POLYCARBONATE with Blue Pull Tabs

TERMINATION	PART NO.	A	B	C
1/4" HOSE BARB	AQCDC22004	2.50 (63.5)	5.41 (137.4)	0.60 (15.2)
3/8" HOSE BARB	AQCDC22006	2.50 (63.5)	5.41 (137.4)	0.60 (15.2)
1/2" HOSE BARB	AQCDC22008	2.50 (63.5)	5.70 (144.8)	0.89 (22.6)

Coupling Inserts - High Temperature

POLYCARBONATE with White Pull Tabs

TERMINATION	PART NO.	A	B	C
1/4" HOSE BARB	AQCDC22004HT	2.50 (63.5)	5.41 (137.4)	0.60 (15.2)
3/8" HOSE BARB	AQCDC22006HT	2.50 (63.5)	5.41 (137.4)	0.60 (15.2)
1/2" HOSE BARB	AQCDC22008HT	2.50 (63.5)	5.70 (144.8)	0.89 (22.6)

CLICK-PULL-TWIST Assembly Procedure



Align male and female couplings, push together until audible "Colder Click" confirmation. Slight rotation of lock ring may be required for proper alignment prior to connection.



Snap membrane, pull tabs together and pull from connector.



Twist the blue lock ring clockwise until "Colder Click" and rib to arrow alignment confirms secure final connection.



When fluid transfer is finished, press the thumb latch down to complete the sterile disconnection. Both halves will remain sterile.