

STEAM-THRU CONNECTIONS



Specifications

**Pressure:**  
 Steam position:  
 Up to 30 psi, 2.07 bar (Steam-Thru) up to 35 psi, 2.41 bar (Steam-Thru II)  
 Flow position: Vacuum to 20 psi, 1.38 bar

**Temperature:**  
 Steam position:  
 Up to 266°F (130°C) for 60 minutes (Steam-Thru)  
 Up to 275°F (135°C) for 60 minutes (Steam-Thru II)  
 Flow position: 39°F to 104°F (4°C to 40°C)

**Materials:**  
 Connection: Polysulfone, USP Class VI, ADCF  
 O-rings: Silicone (clear), platinum-cured, USP Class VI, ADCF  
 Tear-away sleeve: Polyethylene or polycarbonate (Steam-Thru only), USP Class VI, ADCF

**Typical Flow Rate:**  
 $C_v = 4.2 - 4.6$  (Steam-Thru)  
 $C_v = 5.2 - 8.0$  (Steam-Thru II)

**Sterilization:**  
 Gamma: Up to 50 kGy gamma irradiation  
 Autoclave: Up to 265°F (129°C) for 60 minutes, up to two cycles (applies only to part numbers STC1700500-STC1700800 and STC2020000-STC2021000)

**SIP process:**  
 Up to 266°F (130°C) for 60 minutes (Steam-Thru)  
 Up to 275°F (135°C) for 60 minutes (Steam-Thru II)

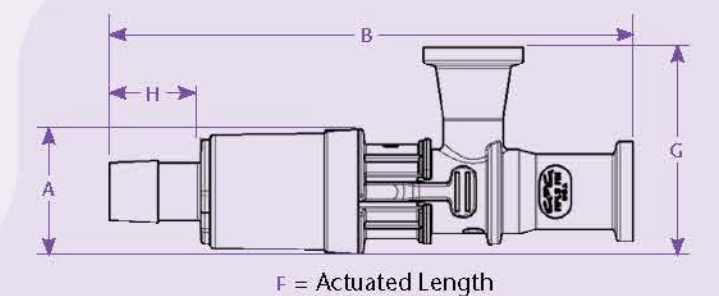
**Termination Sizes:**  
 3/8" to 1/2" ID, 9.5mm to 12.7mm ID hose barb (Steam-Thru)  
 3/8" to 1/2" ID, 9.5mm to 12.7mm ID hose barb and 3/4" sanitary (Steam-Thru II)

**Steam-Thru® Connections** allow a quick and easy sterile connection between biopharmaceutical processing equipment and disposable bag and tube assemblies. The single-use design saves time and money by eliminating unnecessary cleaning procedures and reducing validation burden associated with reusable components.

Features	Benefits
Innovative three-port design	Allows a true steam-through SIP process which eliminates "dead legs" and the need for laminar flow hoods
Patented valve design	Allows sterile connection and disconnection and permits high media flow rate
Thumb latch/ Tear-away sleeve	Secures valve position, provides visual indicator of process stage
Industry standard terminations	Speed connect to the process equipment and connect to popular sizes of flexible tubing
BSE/TSE free materials	Meet ADCF requirements

Steam-Thru® Configurations

Steam-Thru® Connection's patented three-port design allows steam to pass directly through the lower ports to "steam on" to stainless equipment. After the SIP cycle is completed, the connector's valve is actuated, creating a sterile flow path to single-use systems.

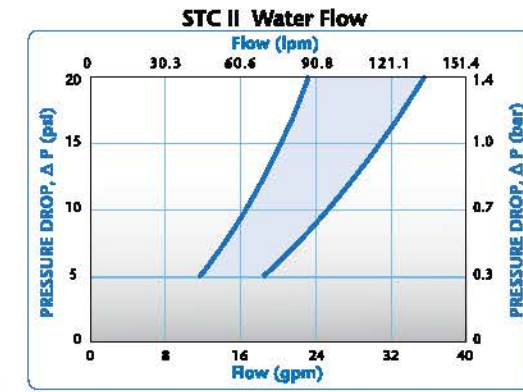
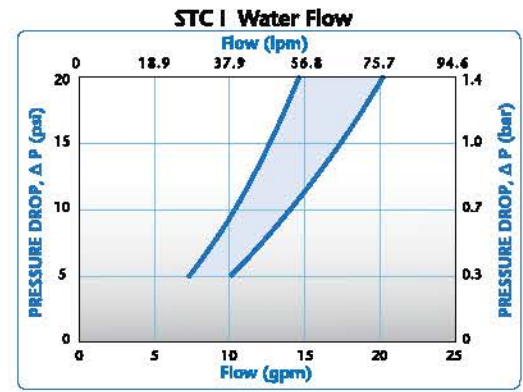


POLYSULFONE

DESCRIPTION	PART NO.	TERMINATIONS	A	B	F	G	H
WITH POLYETHYLENE SLEEVE	STC1700000	3/4" x 3/4" sanitary x 1/2" HB	1.20 (30.5)	5.09 (129.3)	4.44 (112.8)	2.00 (50.8)	0.89 (22.6)
	STC1700100	3/4" x 3/4" sanitary x 3/8" HB	1.20 (30.5)	4.80 (121.9)	4.15 (105.4)	2.00 (50.8)	0.60 (15.2)
	STC1700200	3/4" x 1-1/2" sanitary x 1/2" HB	1.20 (30.5)	5.09 (129.3)	4.44 (112.8)	2.00 (50.8)	0.89 (22.6)
	STC1700300	3/4" x 1-1/2" sanitary x 3/8" HB	1.20 (30.5)	4.80 (121.9)	4.15 (105.4)	2.00 (50.8)	0.60 (15.2)

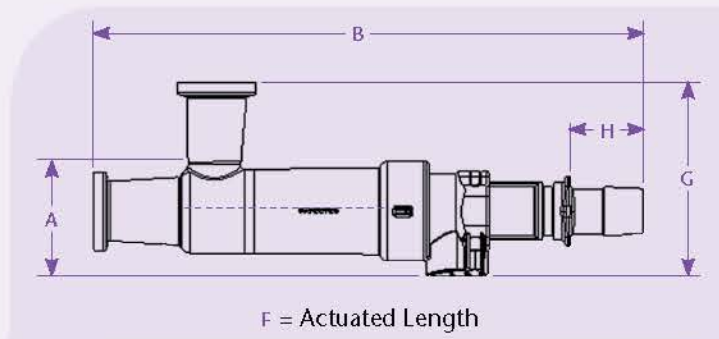
DESCRIPTION	PART NO.	TERMINATIONS	A	B	F	G	H
WITH AUTOCLAVABLE POLYCARBONATE SLEEVE	STC1700500	3/4" x 3/4" sanitary x 1/2" HB	1.20 (30.5)	5.09 (129.3)	4.44 (112.8)	2.00 (50.8)	0.89 (22.6)
	STC1700600	3/4" x 3/4" sanitary x 3/8" HB	1.20 (30.5)	4.80 (121.9)	4.15 (105.4)	2.00 (50.8)	0.60 (15.2)
	STC1700700	3/4" x 1-1/2" sanitary x 1/2" HB	1.20 (30.5)	5.09 (129.3)	4.44 (112.8)	2.00 (50.8)	0.89 (22.6)
	STC1700800	3/4" x 1-1/2" sanitary x 3/8" HB	1.20 (30.5)	4.80 (121.9)	4.15 (105.4)	2.00 (50.8)	0.60 (15.2)



These graphs are intended to give you a general idea of the performance capabilities of each product line. The shaded area of each graph represents the operating range of the product family, i.e., upper and lower values are shown. Therefore, depending on the exact coupling configurations selected, you can reasonably expect values to fall within the shaded area.

Steam-Thru II Configurations

Steam-Thru II Connections offer the flexibility of "steam on" and "steam off" functionality. The innovative design allows the valve to be returned to the steam position enabling a second SIP cycle following media transfer. The "steam off" disconnection of single-use systems minimizes cross-contamination risks associated with reusable components.



POLYSULFONE

TERMINATION	PART NO.	TERMINATIONS	A	B	F	G	H
	STC2020000	3/4" x 3/4" sanitary x 1/2" HB	1.42 (36.1)	6.84 (173.7)	5.93 (150.6)	2.40 (61.0)	.88 (22.4)
	STC2020100	3/4" x 3/4" sanitary x 3/8" HB	1.42 (36.1)	6.76 (171.7)	5.93 (150.6)	2.40 (61.0)	.80 (20.3)
	STC2020200	3/4" x 1-1/2" sanitary x 1/2" HB	1.42 (36.1)	6.84 (173.7)	5.93 (150.6)	2.40 (61.0)	.88 (22.4)
	STC2020300	3/4" x 1-1/2" sanitary x 3/8" HB	1.42 (36.1)	6.76 (171.7)	5.93 (150.6)	2.40 (61.0)	.80 (20.3)
	STC2020900	3/4" x 3/4" sanitary x 3/4" sanitary	1.42 (36.1)	6.60 (167.6)	5.93 (150.6)	2.40 (61.0)	.62 (15.7)
	STC2021000	3/4" x 1-1/2" sanitary x 3/4" sanitary	1.42 (36.1)	6.60 (167.6)	5.93 (150.6)	2.40 (61.0)	.62 (15.7)

All measurements are in inches (millimeters) unless otherwise noted. Tubing must meet stated inside and outside diameters.