



HYBRID CONNECTOR

Hybrid Connectors integrate air lines, electronics and fluid into a compact, single connection point for remote tools on medical devices and equipment. This groundbreaking connector technology eliminates the need for multiple connections and allows clinicians or therapy patients to quickly and easily change or replace modular tools, umbilicals or hand pieces that require power, signal and gases.

Large Format Hybrid Connector Features multiple dry-break couplings and an easy-to-use twist latch for secure connection of multiple lines

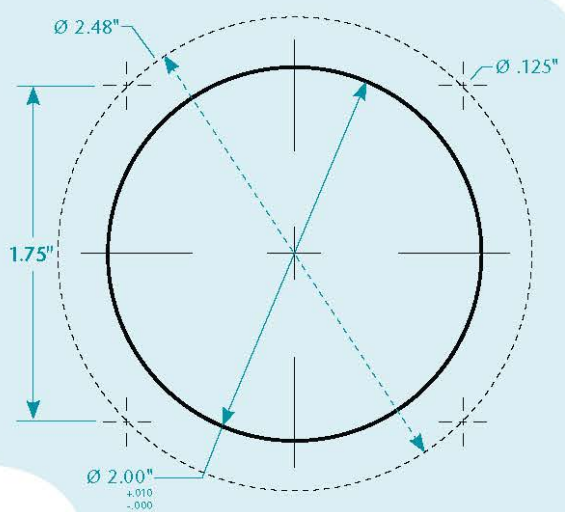
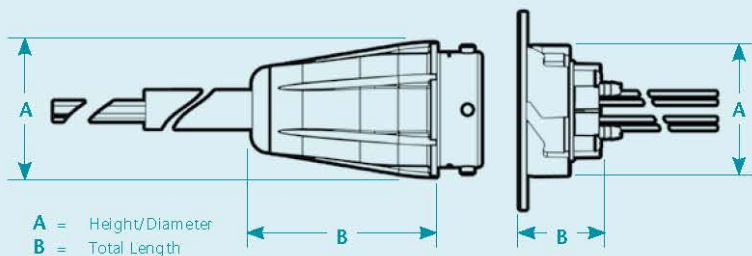
Features

- Easy quarter turn latch
- Turnkey solution
- Off-the-shelf assembly
- Custom options available

Benefits

- Secure reliable connection
- Accelerate product development
- Minimizes engineering design and manufacturing effort
- Design a connector for your unique requirements

Product Dimensions



Coupling Hose

CONFIGURATION	FLOW PATH 1	FLOW PATH 2	PART NO.	A	B
HOSE	1/8" ID (3.2mm)	1/16" (1.6mm)	HQC17000	2.00	2.80



Coupling Panel

CONFIGURATION	FLOW PATH 1	FLOW PATH 2	PART NO.	A	B
PANEL MOUNT	1/8" ID (3.2mm)	1/8" ID (3.2mm)	HQC42000	1.96	1.12

Visit us at www.colder.com or call 651-645-0091 to get a free catalog CD or to find your local distributor.

Hybrid Connector Specifications

Pressure: Vacuum to 45 psi, 3.1 bar
Temperature: 40°F to 100°F (4°C to 38°C)
Materials:
Non-wetted coupler components: Glass-filled polypropylene and acetal
Wetted coupler components: Glass-filled polypropylene
Springs: Stainless steel
Electrical contacts: Gold-plated brass
O-rings: EPDM
Tubing: PVC
Color: Black

Terminations:
Panel: Two 1/8" (3.2mm) hose barbs on panel and four 20 ga wires with 12" (304.3mm) pigtail
Hose: 8' (2.44M) umbilical with one 1/8" (3.2mm) ID & one 1/16" (1.6mm) ID PVC tube and four 20ga wires with 3" (76.2mm) pigtail
Number of fluid lines: 2

Electrical Specifications

Voltage: Up to 24VDC **Current:** Up to 3 Amps
Wire gauge: 20AWG **Number of contacts:** 4

Mini Hybrid Connector Specifications

Pressure: Vacuum to 25 psi, 1.7 bar
Temperature: 40°F to 80°F (4°C to 27°C)
Materials:
External coupler components: PET
Air coupler components: Acetal
Springs: Stainless steel
Panel Mount Nut: Zinc-plated steel
Electrical contacts: Gold-plated brass
O-rings: Buna-N
Air line: PVC
Color: Gray with gray hose

External umbilical hose: 4 feet (1219.2mm) PVC
Wire: 22AWG PVC jacket
Terminations:
Panel: 1/16" hose barb and two 22AWG wires with 11" pigtail
Umbilical: 1/16" ID PVC tube and two 22AWG wires with 6" pigtail
Number of air lines: 1

Electrical Specifications

Voltage: Up to 24VDC
Current: Up to 3 Amps
Wire: 22AWG with PVC jacket
Number of contacts: 2

MINI HYBRID CONNECTOR



Mini Hybrid Connector – A compact, single connection point with a smaller form factor that is ideal for use in low-pressure applications where ease of use and ergonomics are important. This valved connector makes it easy to connect power, signal and gases in one simple motion.

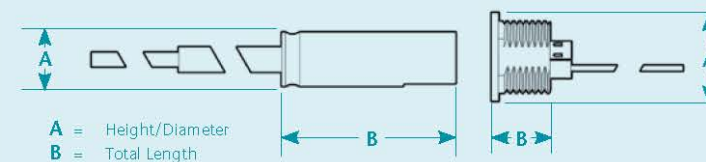
Features

- Easy-to-use breakaway design
- Small package design
- Streamlined exterior
- Proven design

Benefits

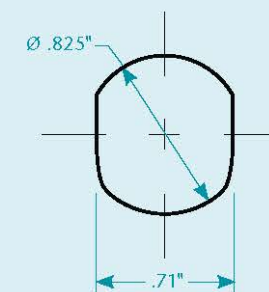
- Quick, automatic disconnect
- Minimize device size
- Clean, attractive appearance
- Accelerate product development

Product Dimensions



Coupling Hose

CONFIGURATION	FLOW PATH	PART NO.	A	B
HOSE	1/16" ID (1.6mm)	MHQC17000	.62	2.00



Coupling Panel

CONFIGURATION	FLOW PATH	PART NO.	A	B
PANEL MOUNT	1/16" ID (1.6mm)	MHQC42000	.825	.60

