



TENTUBE SERIES

## Specifications

**Pressure:**  
Vacuum to 100 psi, 6.9 bar per line

**Temperature:**  
**Acetal fitting inserts:**  
-40°F to 180°F (-40°C to 82°C)

**Polypropylene fitting inserts:**  
32°F to 180°F (0°C to 82°C)

### Materials:

**Main components:** Nylon

**Valves:** Acetal

**Valve springs:** 316 stainless steel

**Fitting inserts:** Acetal or polypropylene

**O-rings:** Buna-N with acetal  
or EPDM with polypropylene

**Panel mount adapter:** Acetal

**Tube shroud:** Acetal

### Color:

**Main components:**  
Black with red locking latch

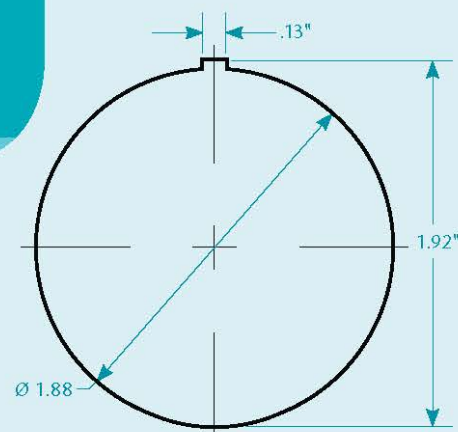
**Tube shroud:** Black

**Panel mount adapter:** Black

### Tubing Sizes:

1/16" to 1/8" ID, 1.6mm to 3.2mm ID

Note: Use TMF and TFF inserts and bodies for custom designed assemblies. See page 67.



## Panel Mount Dimensions

	PANEL OPENING	MAX. PANEL THICKNESS	MIN. PANEL THICKNESS
COUPLING BODIES	see drawing	.44	.06

## The Tentube™ coupling

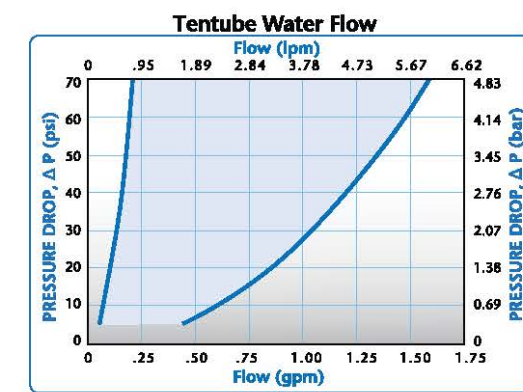
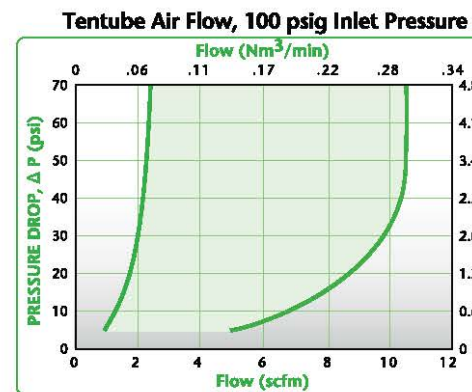
provides one easy-to-use quick disconnect for up to ten separate fluid lines. The Tentube is available with valves on the body side in panel mount or in-line configurations for maximum design flexibility. The Tentube can connect and disconnect up to ten lines with the use of a simple slide latch. Tubing orientation is ensured by keying the coupling body and insert. Different fluids and tubing sizes can be accommodated by using acetal or polypropylene inserts in three popular sizes.

### Features

Ten line connection  
Separate flow paths  
Insert is keyed to body  
Acetal or polypropylene inserts

### Benefits

Fast, efficient operation  
Pressure and/or vacuum in one coupling  
Ensures correct line orientation  
Maximize design flexibility



These graphs are intended to give you a general idea of the performance capabilities of each product line. The shaded area of each graph represents the operating range of the product family, i.e., upper and lower values are shown. Therefore, depending on the exact coupling configurations selected, you can reasonably expect values to fall within the shaded area.

Don't forget: you can always visit [www.colder.com](http://www.colder.com) for more product information.

## Tentube™ Complete

### ACETAL / POLYPROPYLENE

TERMINATIONS	TUBING SIZE	METRIC EQ.	ACETAL STRAIGHT THRU	ACETAL SHUTOFF	POLYPROPYLENE STRAIGHT THRU
COMPLETE COUPLING SET	1/16" ID	1.6mm ID	TT1001	TTD1001	TT100112
	1/8" ID	3.0mm ID 3.2mm ID	TT10M3 TT1002	TTD10M3 TTD1002	TT100212
COUPLING BODY WITH FEMALE FITTING BODIES	1/16" ID	1.6mm ID	TFB1001	TFBD1001	TFB100112
	1/8" ID	3.0mm ID 3.2mm ID	TFB10M3 TFB1002 TFB10	TFBD10M3 TFBD1002	TFB100212
COUPLING INSERT WITH MALE FITTING INSERTS	1/16" ID	1.6mm ID	TMB1001		POLYPROPYLENE STRAIGHT THRU TMB100112
	1/8" ID	3.0mm ID 3.2mm ID	TMB10M3 TMB1002 TMB10		TMB100212

## Inserts & Bodies

### ACETAL / POLYPROPYLENE

TERMINATIONS	TUBING SIZE	METRIC EQ.	ACETAL STRAIGHT THRU	ACETAL SHUTOFF	POLYPROPYLENE STRAIGHT THRU
FITTING INSERTS (SEE NOTE ON PAGE 66)	1/16" ID	1.6mm ID	TMF01		TMF0112
	1/8" ID	3.0mm ID 3.2mm ID	TMFM3 TMF02		TMF0212
FITTING BODIES (SEE NOTE ON PAGE 66)	1/16" ID	1.6mm ID	TFF01	TFFD01	TFF0112
	1/8" ID	3.0mm ID 3.2mm ID	TFFM3 TFF02	TFFDM3 TFFD02	TFF0212

Note: Acetal bodies and inserts are also available in white. To order, add MWHT to the end of the part number.

## Accessories

DESCRIPTION	PART NO.
Tube shroud - snaps into either half	TS10
Panel mount adapter & nut - 7/16" max. panel thickness; requires 1.875" diameter hole	TPM10

All measurements are in inches (millimeters) unless otherwise noted. Tubing must meet stated inside and outside diameters. Couplings are pictured with valves unless otherwise noted.

Call toll free 1-800-444-2474 or visit us at [www.colder.com](http://www.colder.com)

Copyright © 2011 by Colder Products Company. All rights reserved. Colder Products Company, Colder Products and CPC are registered trademarks with the US Patent & Trademark Office.



SIXTUBE

## Sixtube Specifications

**Pressure:** Vacuum to 100 psi, 6.9 bar per line

**Temperature:**

**Acetal fitting Inserts:**  
-40°F to 180°F (-40°C to 82°C)

**Polypropylene fitting Inserts:**  
32°F to 180°F (0°C to 82°C)

**Materials:**

**Main component:** Acetal

**Valves:** Acetal

**Fitting Inserts:** Acetal, polypropylene

**Thumb latch:** Acetal

**Valve spring:** 316 stainless steel

**O-rings:** Buna-N with acetal or EPDM with polypropylene

**Color:** Natural white with aqua latch

**Tubing Sizes:**

1/16" to 1/8" ID, 1.6mm to 3.2mm ID

NOTE: Caution must be observed when ordering Sixtube assemblies. Body and insert takes which both contain female or male fittings will not couple. Contact Colder for questions and ordering assistance.

TWIN TUBE

## Twin Tube Specifications

**Pressure:** Vacuum to 120 psi, 8.3 bar per line

**Temperature:** -40°F to 180°F (-40°C to 82°C)

**Materials:**

**Main components:** Acetal, ABS

**Thumb latch:** Stainless steel

**External springs and pin:** Stainless steel

**O-rings:** Buna-N

**Color:** Natural white (acetal), white (ABS)

**Tubing Sizes:**

1/16" to 1/8" ID, 1.6mm to 3.2mm ID

The Sixtube™ coupling provides one easy-to-use quick disconnect for up to six separate fluid lines. The Sixtube is available with valves on either side for maximum design flexibility. Featuring the Colder thumb latch, the Sixtube can disconnect up to six lines with the push of a button. The snap-in panel mount design keeps a low profile on the front of the equipment panel.

The Twin Tube™ coupling provides one easy-to-use quick disconnect for two separate fluid lines. The non-valved Twin Tube maintains two individual flow paths in one coupling. Featuring the Colder thumb latch, the Twin Tube can disconnect two lines with the push of a button. The panel mount design keeps a low profile on the front of the equipment panel.

### Features

Six/two line connection  
Separate flow paths

Sixtube insert is keyed to body

Free coupling rotation (Twin Tube)

Colder thumb latch

### Benefits

Fast, efficient operation  
Pressure and/or vacuum in one coupling

Ensures correct line orientation to body

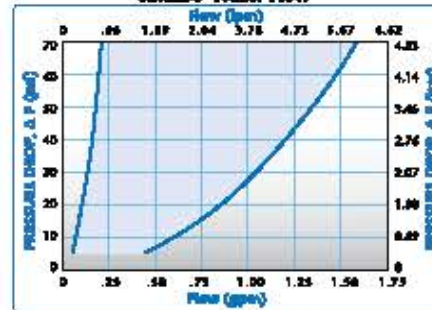
Eliminates kinked tubing

One-hand connection and disconnection

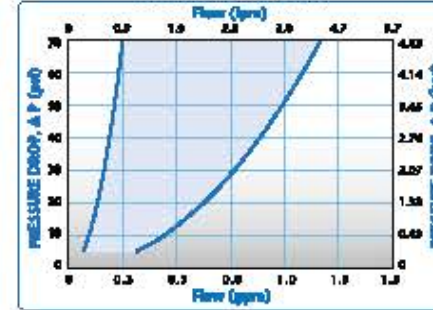
Sixtube Air Flow, 100 psig Inlet Pressure



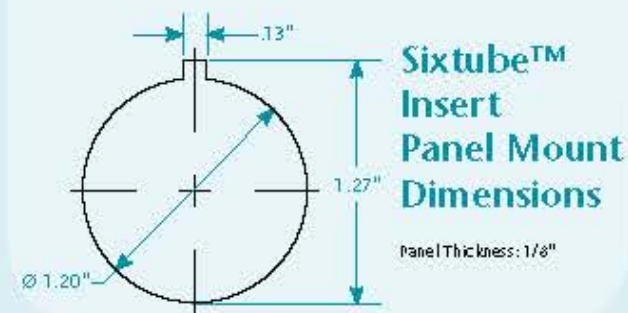
Sixtube Water Flow



Twin Tube Water Flow



These graphs are intended to give you a general idea of the performance capabilities of each product line. The shaded area of each graph represents the operating range of the product family, i.e., upper and lower values are shown. Therefore, depending on the exact coupling configurations selected, you can reasonably expect values to fall within the shaded area.

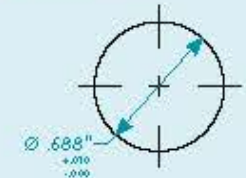


## Twin Tube™ Body Panel Mount Dimensions



PANEL NUT HEX 13/16

PANEL NUT THREAD 11/16-24UNEF



Ø .588" ±.010  
Maximum Panel Thickness: 1/2"  
Minimum Panel Thickness: 0.02"

## Sixtube Coupling Bodies

### ACETAL / POLYPROPYLENE

TERMINATION	TUBING SIZE	METRIC EQ.	ACETAL STRAIGHT THRU	ACETAL SHUTOFF	POLYPROPYLENE STRAIGHT THRU
WITH MALE FITTING INSERTS	1/16" ID	1.6mm ID	SXM1701		SXM170112
	1/8" ID	3.0mm ID 3.2mm ID	SXM17M3 SXM1702		SXM170212
WITH FEMALE FITTING BODIES	1/16" ID	1.6mm ID	SXF1701	SXFD1701	SXF170112
	1/8" ID	3.0mm ID 3.2mm ID	SXF17M3 SXF1702	SXFD17M3 SXFD1702	SXF170212
TERMINATION WITHOUT FITTINGS			SX17		



## Sixtube Coupling Inserts

### ACETAL / POLYPROPYLENE

TERMINATION	TUBING SIZE	METRIC EQ.	ACETAL STRAIGHT THRU	ACETAL SHUTOFF	POLYPROPYLENE STRAIGHT THRU
WITH MALE FITTING INSERTS	1/16" ID	1.6mm ID	SXM4201		SXM420112
	1/8" ID	3.0mm ID 3.2mm ID	SXM42M3 SXM4202		SXM420212
WITH FEMALE FITTING BODIES	1/16" ID	1.6mm ID	SXF4201	SXFD4201	SXF420112
	1/8" ID	3.0mm ID 3.2mm ID	SXF42M3 SXF4202	SXFD42M3 SXFD4202	SXF420212
TERMINATION WITHOUT FITTINGS			SX42		



## Accessories



**DESCRIPTION:**

Sixtube pressure plugs  
(For fitting bodies or inserts, see page 67)

PART NO.  
TMPMWH7

## Twin Tube Coupling Bodies

### ACETAL / ABS

TERMINATION	TUBING SIZE	METRIC EQ.	ACETAL STRAIGHT THRU	ABS STRAIGHT THRU
PANEL MOUNT HOSE BARB	1/16" ID	1.6mm ID	PTC16010	
	1/8" ID	3.2mm ID	PTC16020	PTC1602096



## Twin Tube Coupling Inserts

### ACETAL / ABS

TERMINATION	TUBING SIZE	METRIC EQ.	ACETAL STRAIGHT THRU	ABS STRAIGHT THRU
IN-LINE HOSE BARB	1/16" ID	1.6mm ID	PTC22010	
	1/8" ID	3.2mm ID	PTC22020	PTC2202096



Call toll free 1-800-444-2474 or visit us at [www.colder.com](http://www.colder.com)

Copyright © 2011 by Colder Products Company. All rights reserved. Colder Products Company, Colder Products and CPC are registered trademarks with the US Patent & Trademark Office.